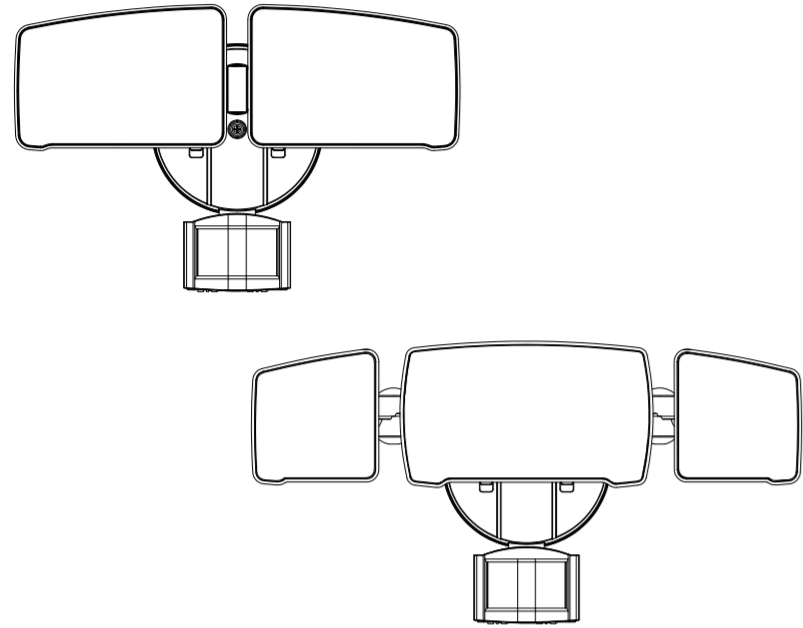




# Installation Guide

## Outdoor Style Motion Security Floodlight Hard Wire



www.gelighting.com  
GE is a trademark of General Electric Company. Used under trademark license.  
©2024 Savant Systems LLC. Information provided is subject to change without notice.  
All values are design or typical values when measured under laboratory conditions.

### PRODUCT COVERED

Model	Input voltage (Vac , Hz)	Current (A)	Wattage (W)
OUTSC2HDW350-85CWTN	120 , 60	0.325	35.0
OUTSC3HDW550-85CWTN	120 , 60	0.465	50.0

### DIMMING

The luminaire is non-dimmable.



#### BEFORE YOU BEGIN

Read these instructions completely and carefully. Before installing the light fixture, ensure that all parts are present.

### WARNING

- Risk of fire or electric shock. Installation may require a qualified licensed electrician. Check local and national electrical code if any uncertainty before installation or operation.
  - These products are intended to be used in wet locations.
  - These products are suitable for wall mount installation.
- To prevent sensor malfunctions, operational failure or any deterioration of its characteristics, do not use this sensor in the following, or similar conditions.
- In rapid environmental temperature changes
  - In strong shock or vibration.
  - In a place where there are obstructing materials (Glass, Fog, etc.) through which infrared rays cannot pass within detection area.
  - In fluid, corrosive gases and sea breeze.
  - Continual use in high humidity atmosphere.
  - Exposed to direct wind from a heater or air conditioner.

### PREPARE ELECTRICAL WIRING

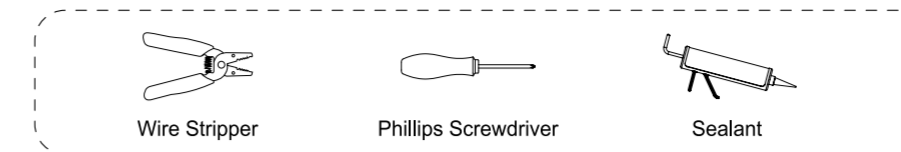


**Electrical Requirements**  
The LED fixture must be supplied with 120VAC 60Hz.



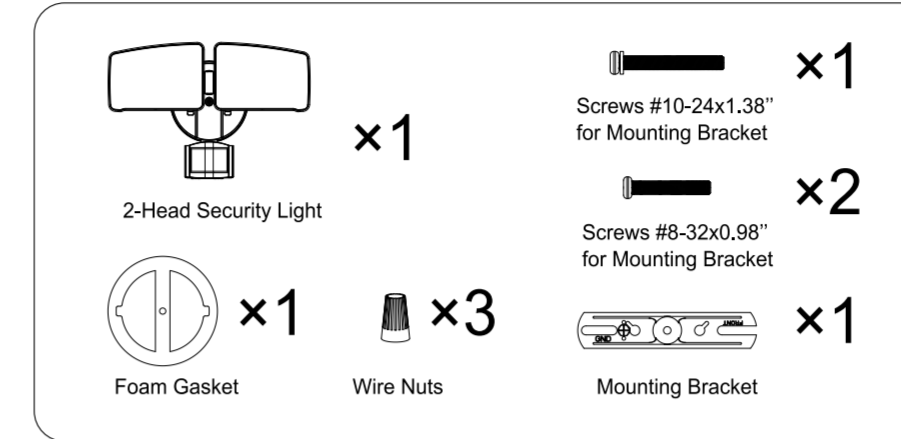
**Grounding Instructions**  
The grounding and bonding of the overall system shall be done in accordance with National Electric Code (NEC) Article 600 and local codes.

### TOOLS REQUIRED

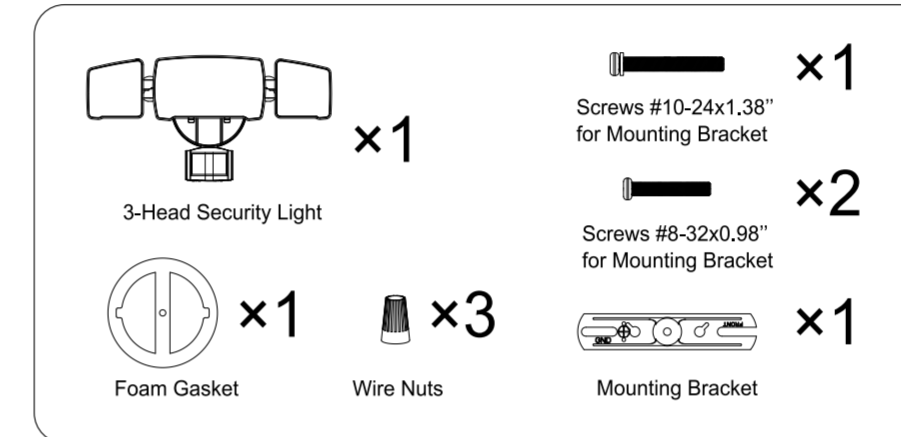


### PACKAGE CONTENTS

OUTSC2HDW350-85CWTN

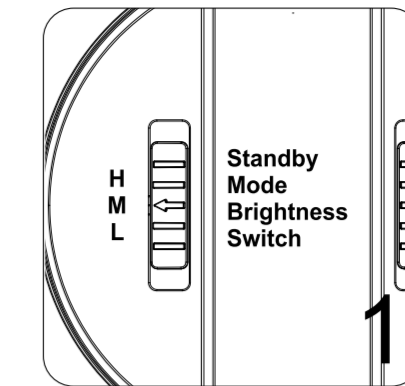


OUTSC3HDW550-85CWTN

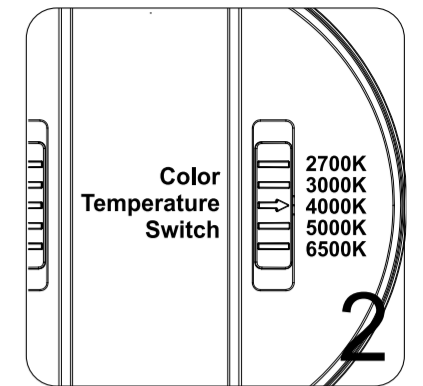


### BEFORE INSTALLATION

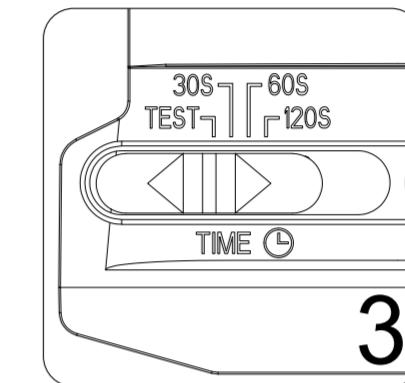
Before installation, please preset the desired color temperature, standby mode brightness, motion sensor timer and sensitivity as below steps.



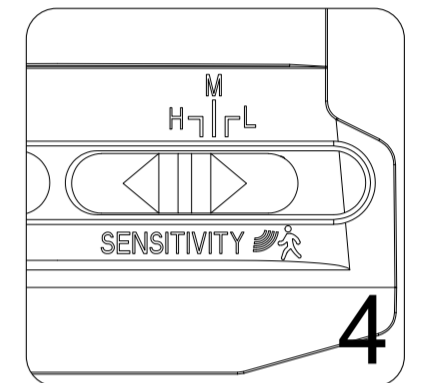
**Setup standby mode brightness setting**  
This setting allows you to customize the fixture brightness when there is no motion. You can choose between H/M/L setting corresponding to 50%/25%/0% brightness levels. Once motion is detected, the fixture will go to 100% brightness level for the time selected in the next step. Note that this fixture has a daylight sensor, so lights will not come on until dark.



**Setup preferred color temperature**  
Toggle the switch to the up or down to adjust the color temperature. The following color temperature settings can be selected.  
2700K 3000K 4000K 5000K 6500K  
soft white warm white cool white daylight cool daylight



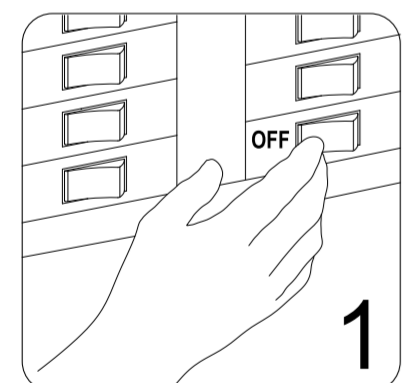
**Setup motion sensor timer**  
(switch is on the bottom of motion sensor head). This setting allows you to set the desired time for the fixture to stay on at 100% brightness after the last motion is detected. You can choose between 30/60/120seconds/Test (4seconds) settings.



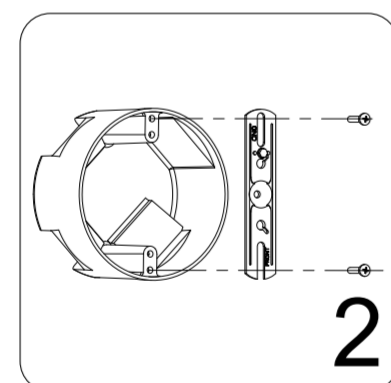
**Setup motion sensor sensitivity**  
(switch is on the bottom of motion sensor head). This setting allows you to choose the sensitivity of the motion sensor. You can choose between H/M/L settings. Approximate distance for these settings are 16.4/26.2/39.4 ft. NOTE: The motion sensor warm up time is about 30s after the power is turned on to the fixture.

### INSTALLATION

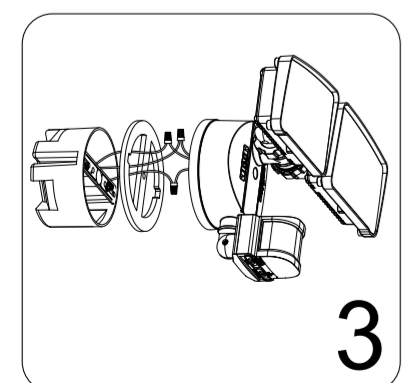
This fixture is only suitable for wall mounting. Recommended install height is from 8ft to 11ft (2.4m to 3.4m) above the ground.



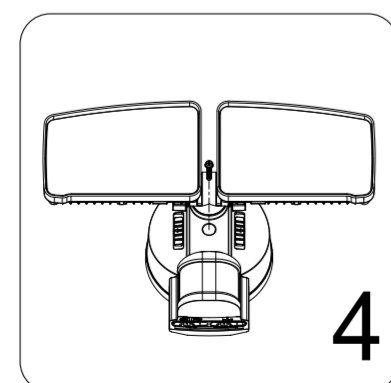
Turn off power source to the power supply you are installing the fixture on. Note that all steps are the same for all models, except instructions for adjusting the light heads (steps 6-9).



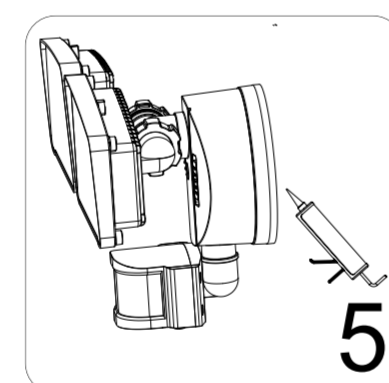
Install the mounting bracket to the junction box using the two thinner(#8-32x0.98") mounting screws. The front side with stamped word 'GND' must be facing out. Tighten screws using a screwdriver. Ensure that the mounting bracket is firmly installed.



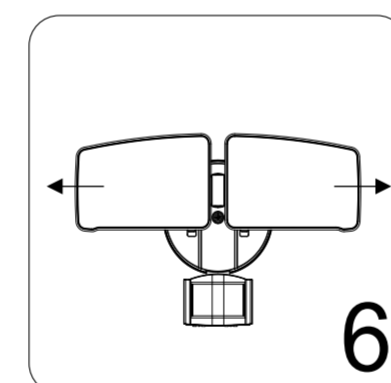
Position the foam gasket between the junction box and the back of the light fixture base to create a weather tight seal. Pull the wires from the electrical box through one of the two openings in the foam gasket. Connect same color wires of junction box and fixture together by wire nuts. Please note that junction box ground wire may be green or bare copper. Gently push the excess wires and wire nuts inside the junction box.



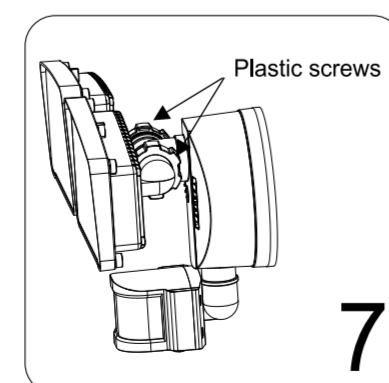
Insert the thicker screw (#10-24x1.38") into the hole of fixture and foam gasket. Install the light fixture base to the mounting bracket. Make sure that no wires are visible from the outside. Then tighten the screw firmly.



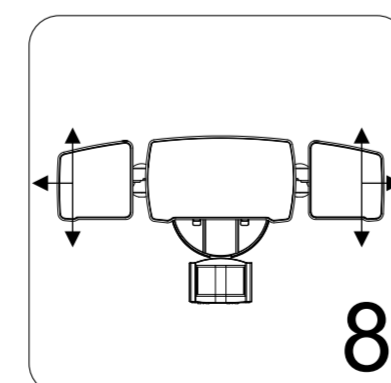
Apply silicone sealant (not included) around the edges of the fixture base to prevent water and dust infiltration.



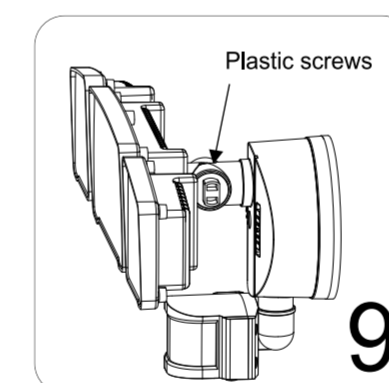
**Adjust the light heads to the desired position for 2-head security light:**  
To adjust the light heads inward or outwards, simply move them to the desired position.



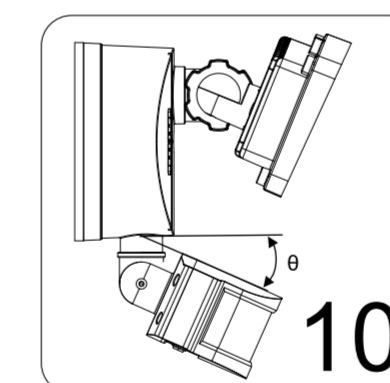
**Adjust the light heads to the desired position for 2-head security light:**  
To adjust the light heads in the up and down direction, loosen the plastic screws and adjust the heads in the desired position. Tighten the screws. (Do not over tighten).



**Adjust the light heads to the desired position for 3-head security light:**  
To adjust the side light heads, simply move them to the desired position.



**For 3-head security light:**  
To adjust the middle light head, loosen the plastic screw, move the head to the desired position and then tighten the screw. Do not over tighten.



Set the preferred motion sensor head angle to get desired motion detection coverage. To get longest detection distance, the recommended sensor head angle( $\theta$ ) is 5°~10°. To get the largest detection angle, recommended sensor head angle ( $\theta$ ) is 45°~50°. Turn ON the power to the fixture.

**NOTE:** This device complies with part 15 of the FCC Rules. Operation is subject to the following two conditions: (1) This device may not cause harmful interference, and (2) this device must accept any interference received, including interference that may cause undesired operation. Visit [www.gelighting.com/regulatory](http://www.gelighting.com/regulatory) for more information.

### TROUBLESHOOTING

Problem	Possible Cause	Solution
Light does not turn on	No power to the fixture	- Check if circuit breaker tripped. - Confirm wall switch is ON.
	The fixture is sensing daylight.	Cover light sensor. Unit will switch ON after a short delay.
	Wiring to the fixture is loose.	TURN OFF POWER BEFORE CONTINUING - Confirm wiring is properly secured. - If light still does not come on after checking wiring connections, contact Customer Service.
Light cycles ON and OFF continuously	The light sensor is sensing reflected light.	Cover light sensor with black electrical tape. The fixture should turn on after a slight delay. Relocate light fixture away from the object that is reflecting light.
Light does not turn off during daytime.	Light sensor is in a heavy shaded area.	The fixture should be moved to a location with enough light in the daytime for the light sensor to work.
	The light sensor is faulty.	If the fixture is installed in a well-lit area and the light remains ON during the day, the sensor may be defective. Please reach out to customer service for assistance.
The light comes on for no apparent reason.	The motion sensor may be detecting small animals or other heat sources.	Decrease the 'SENSITIVITY' setting or reposition the motion sensor.
	The outside temperature is much warmer than a person's body heat (summer)	Decrease the "SENSITIVITY" setting.

If these troubleshooting tips do not solve your issue, then contact our customer support team at 1-800-435-4448.