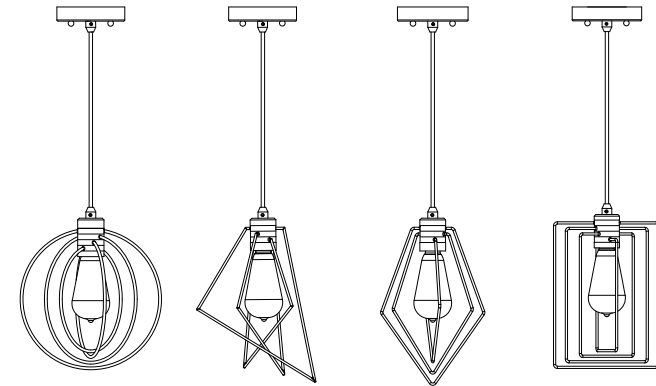




Installation Guide

Industrial Pendant Fixture



Bulbs not included.

www.gelighting.com
The GE brand and logo are trademarks of the General Electric Company. ©2022 GE Lighting, a Savant company. Information provided is subject to change without notice. All values are design or typical values when measured under laboratory conditions.

PK-00109054-1

PRODUCT COVERED

Model	Input voltage (Vac, Hz)	Max. wattage of bulb(not included) (W)
PNDRO1LDMMBID	120, 60	60W
PNDAT1LDMMBID	120, 60	60W
PNDS1LDMMBID	120, 60	60W
PNDRT1LDMMBID	120, 60	60W

BEFORE YOU BEGIN

Read these instructions completely and carefully.

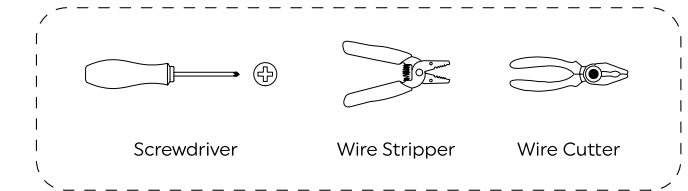
WARNING

- Risk of fire or electric shock. Installation requires knowledge of luminaire electrical systems. If not qualified, do not attempt installation. Contact a qualified electrician.
- These products are intended to be used in dry or damp locations.
- MAX 60 watts incandescent.

PREPARE ELECTRICAL WIRING

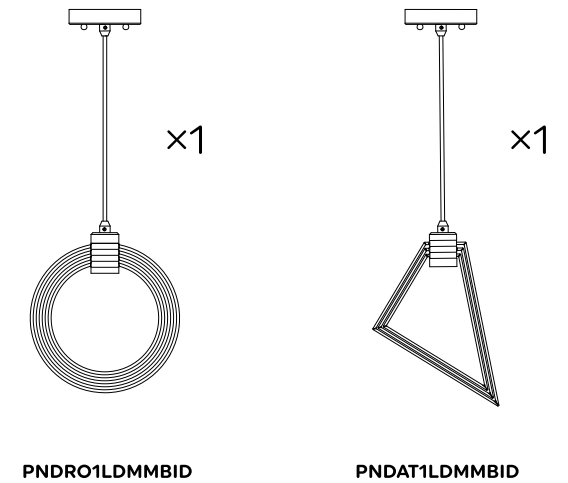
- Electrical Requirements**
The LED fixture must be supplied with 120Vac 60Hz.
- Grounding Instructions**
The grounding and bonding of the overall system shall be done in accordance with National Electric Code (NEC) and local codes.

TOOLS REQUIRED



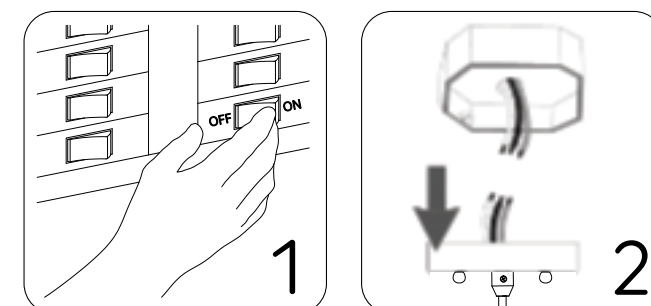
PACKAGE CONTENTS

Only one fixture is included in the package. Please check the package list according to the fixtures you purchased.



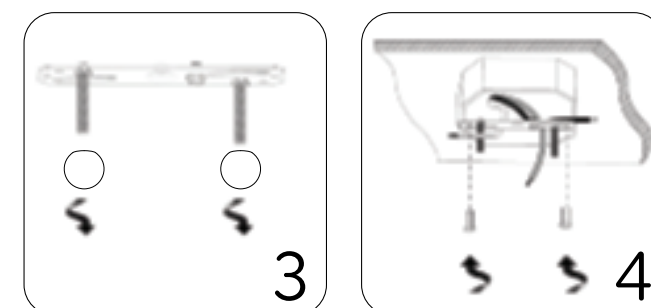
INSTALLATION

This fixture is suitable for junction with 2.75inches or 3.5 inches mounting distance.



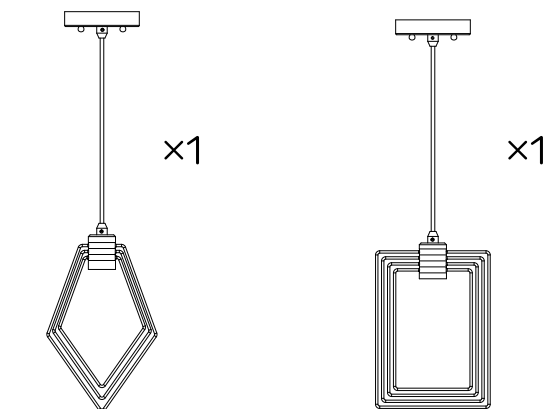
1 Turn off power source to the power supply where you are installing the fixture.

2 Remove existing fixture and disconnect all electric wires.



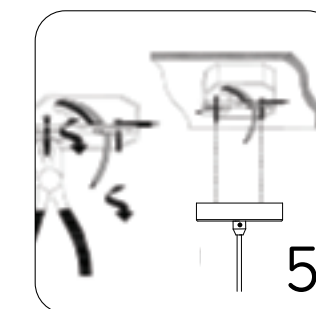
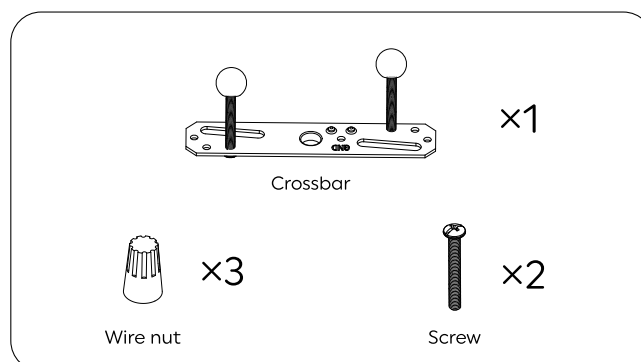
3 Remove decorative nuts from crossbar. Save the decorative nuts for later use.

4 Attach crossbar to the junction box with screws provided.

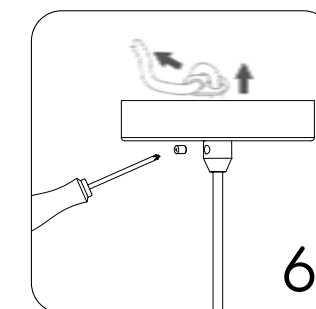


PNDS1LDMMBID PNDRT1LDMMBID

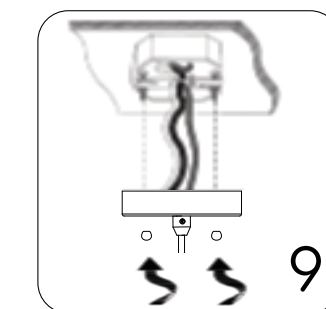
ACCESSORIES



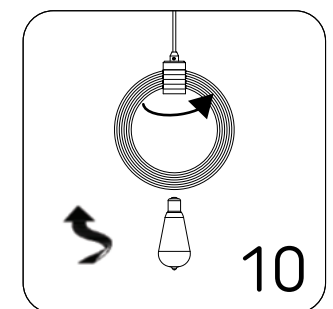
5 Adjust crossbar: Temporarily place fixture over crossbar to determine amount of adjustment necessary for screws on crossbar. Screws should come through canopy hole to ensure decorative nuts can be used to tighten fixture to ceiling.



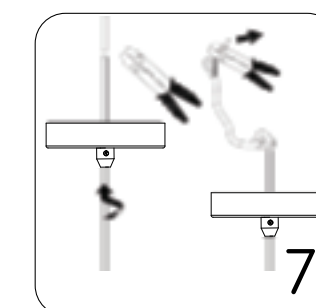
6 Adjust the cord length: Loosen cord restraint on the fixture canopy. Adjust cord to desired length by pulling cord up through canopy then re-tighten cord restraint.



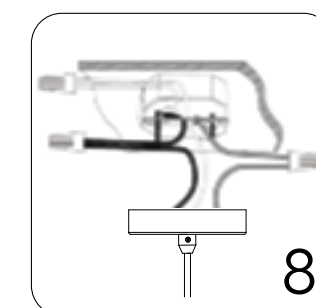
9 Arrange excess wires and wire nuts within canopy. Align holes in canopy with screws on cross bar and push up. Secure fixture to cross bar by tightening the fixture with 2 decorative nuts.



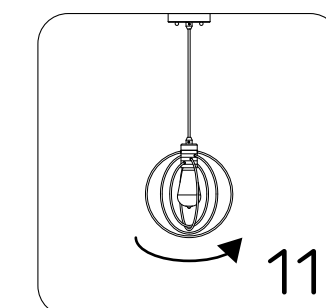
10 Install a medium base bulb. Turn the bottom locking ring anti clockwise to loosen the decorative frame. The above schematic shows only one type of design but the same step can be followed for other pendants.



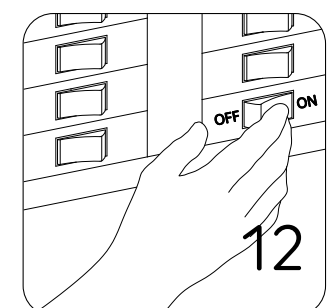
7 Cut excess wire if needed. Leave at least 10" of extra wire to work with. Strip and prepare wires for connection.



8 Connect same color wires of outlet box and fixture together by wire nuts. Note that junction box ground wire may be green or bare copper.



11 Rotate the decorative frame as desired. Tighten the bottom locking ring to lock into position.



12 Turn ON the power to the fixture.