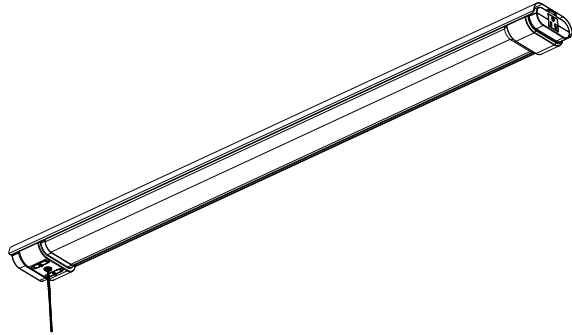




Installation Guide

Ultra Bright Shop Light



www.gelighting.com
The GE brand and logo are trademarks of the General Electric Company.
©2023 GE Lighting. Information provided is subject to change without notice.
All values are design or typical values when measured under laboratory conditions.

PRODUCT COVERED

Model	Input voltage (Vac, Hz)	Current (A)	Wattage (W)
SHP48P1000B840WTL	120, 60	0.95	100



BEFORE YOU BEGIN

Read these instructions completely and carefully. Before installing the light fixture, ensure that all parts are present.

This product must be installed in accordance with the applicable installation code by a person familiar with the construction and operation of the product and the hazards involved.

PREPARE ELECTRICAL WIRING



Electrical Requirements
The LED fixture must be supplied with 120VAC 60Hz.



Grounding Instructions
The grounding and bonding of the overall system shall be done in accordance with National Electric Code(NEC) and local codes.

WARNING

- Risk of shock.
- House electric current can cause painful shock or serious injury unless handled properly.
- Turn off the main power at the circuit breaker before installing the fixture, in order to prevent possible shock.
- The luminaire is non-dimmable.
- The luminaire is for residential use only.
- Suitable for damp location.
- Linkable up to 4 units.

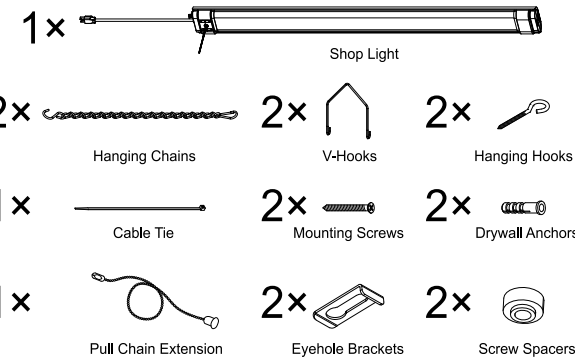
All electrical connections must be in accordance with local National Electrical Code (N.E.C) standards. If you are unfamiliar with proper electrical wiring connections obtain the service of a qualified electrician. This fixture is intended to be only installed directly beneath a ceiling-mounted receptacle. Remove the fixture and the mounting package from the box and make sure that no parts are missing by referencing the illustrations on the installation instruction.

Note: This device complies with part 15 of the FCC Rules. Operation is subject to the following two conditions: (1) this device may not cause harmful interference; (2) this device must accept any interference received, including interference that may cause undesired operation. Contains FCC ID: 2ARMD158S.

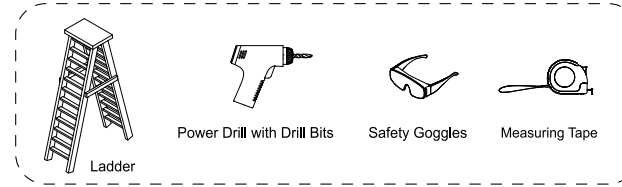
Risk of Damage: Must use UL approved conduit fittings for all enclosure box connections to prevent wire cuts by sharp edges and excessive strain on wiring.

2

PACKAGE CONTENTS

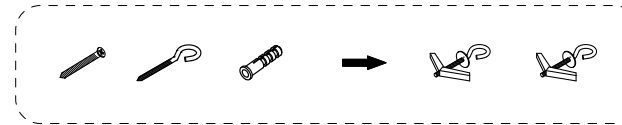


TOOLS REQUIRED



ALTERNATIVE HARDWARE

Use toggle bolt (not included) to replace drywall anchor, hanging hook and screw if needed.



3

PRE-INSTALLATION

Before beginning assembly, installation and operation of the product, make sure all parts are present. Compare parts with package contents list and hardware contents. If any part is missing or damaged, do not attempt to assemble, install or operate the product. Contact customer service. Check your installation location to make sure there is a receptacle on the ceiling. If not, consult a qualified electrician to install a correct branch circuit receptacle. **Remove protective film on the plastic lens before installation.**

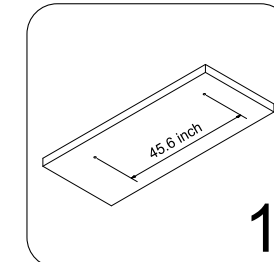
INSTALLATION

Warning: Before wiring the fixture to the house power supply, ensure the electricity is TURNED OFF at the main circuit breaker or fuse box. DO NOT ATTEMPT TO INSTALL FIXTURE WITH THE POWER ON. All wiring connections must be made with the POWER OFF to avoid personal injury and/or damage to the fixture. Verify power is OFF at the junction box using AC voltage tester before installation. If using ladder for installation, ensure ladder base is secure and stable before attempting light fixture installation.

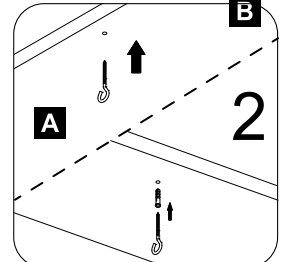
Caution:

Installation should not be made on a radiant-heating ceiling. Hooks are to engage the chain only and not the electric cord.

Suspended Installation with chain and hook



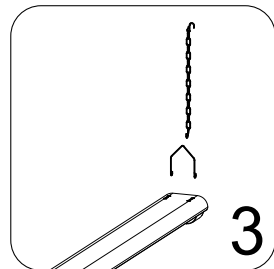
Mark two points on the desired installation location, with 116cm/45.6 inch distance between them.



A: Installation on wood
Locate the two marks. Install 1 hanging hook on each mark. Pre-drill small pilot hole if necessary.

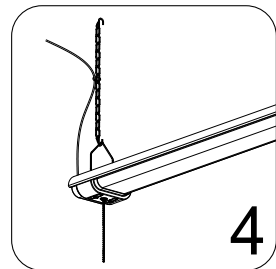
B: Installation on drywall
Locate the two marks. Drill a hole into each mark and insert a drywall anchor. Screw 1 hanging hook into each drywall anchor.

4

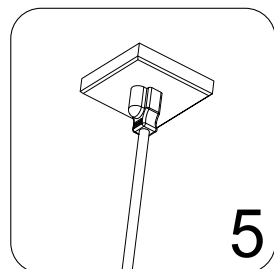


Slide the the two V-hook ends into the keyholes. Connect the chain to the V-hook and hanging hook in the ceiling using the chain's S-hook.

Repeat these steps on the other side of the fixture.

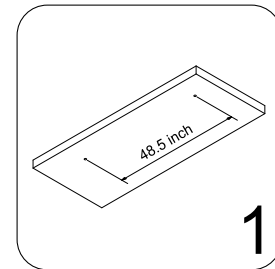


Use the cable tie to attach the power cord to the hanging chain.

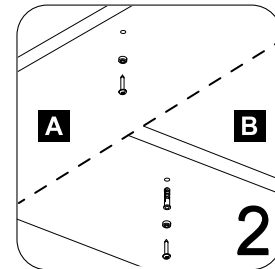


Plug the power cord into the outlet.

Surface Mount Installation with eyehole bracket

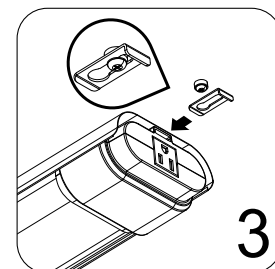


Mark two points on the desired installation location, with 123.3cm / 48.5 inch distance between them.

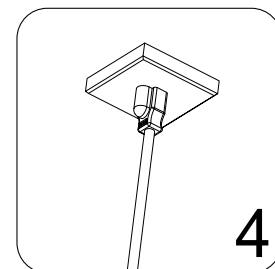


A: Installation on wood
Locate the two marks. Insert the screw into the spacer and install a screw with spacer on each mark. Pre-drill small pilot hole if necessary.

B: Installation on drywall
Drill a hole into each mark and insert a drywall anchor. Insert the screw into the spacer and install a screw with spacer in each drywall anchor.



Lift the fixture up to the screws and slide the eyehole bracket into endcap to secure the fixture in place as shown above. Repeat these steps on the other side of the fixture. Confirm that the screws are tightened

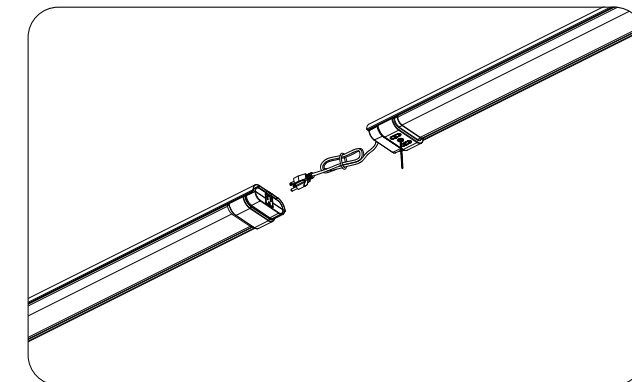


Plug the power cord into the outlet.

6

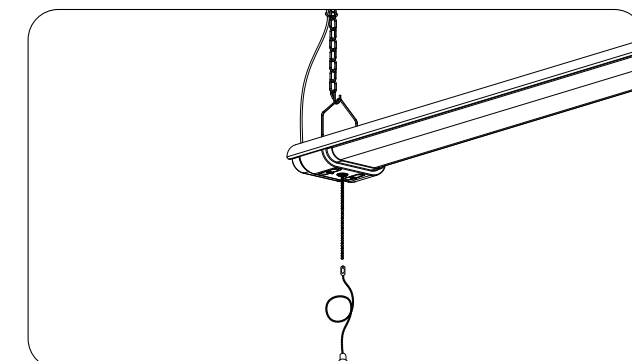
LINKING FIXTURES

To link additional shop lights, connect the power cord into other's receptacle. Up to 4 shop lights can be connected to a single power source.



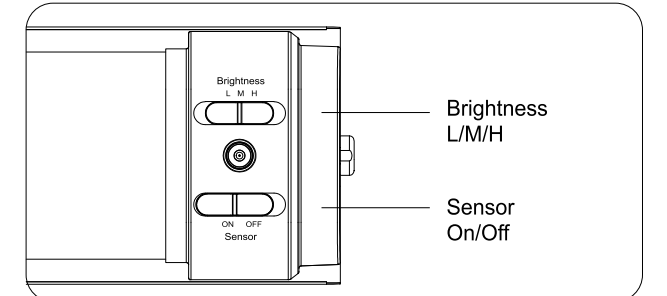
EXTENDING PULL CHAIN

To extend the ON/OFF pull chain, connect the extension chain to the pull chain end.



SWITCH FUNCTIONS

Choose the motion sensor and brightness settings as desired. Move the sensor to the ON position to turn lights on when motion is detected. If the outlet is connected to a wall switch, leave the wall switch in the ON position to enable motion detection. The lights will turn off approx. 30 seconds after last motion is detected. Choose the sensor OFF setting, if light control from the wall switch is preferred. Three brightness levels can be selected (L-4000lumens; M-7000lumens; H-10000lumens).



TIPS FOR MOTION SENSOR USAGE

- Recommend shop light installation height less than 3m(9.84ft). And the fixture diffuser must face the desired detection area.
- If multiple shop lights are installed, they should be more than 1.5m(4.92ft) apart.
- Motion will be detected at speeds lower than 20km/hr (12.4mi/hr).
- Do not install the shop light fixture within 2m(6.65ft) of a metal object.
- Do not use in spaces with large instruments, large or unstable power supply equipment, multiple metal pipes, and large motors.
- Moving items can trigger the sensor. Please keep unnecessary moving items at least 3 meters away from the lighting fixtures, such as automatic sweepers, blowing curtains, and pipes with flowing water, etc.
- The approximate horizontal detection range is 3m (9.84ft) for installation on a 3m (9.84ft) ceiling.

MAKE YOUR SHOPLIGHT SMART

Plug your Ultra Bright Shop Light into a Cync Smart Indoor Plug (sold separately) and control your fixture by app, schedule or voice when paired with Amazon Alexa or Google Assistant devices (also sold separately).

GE Lighting, a Savant company • 1-800-435-4448 • www.gelighting.com

GE IS A TRADEMARK OF GENERAL ELECTRIC COMPANY. USED UNDER TRADEMARK LICENSE. ©2023 GE LIGHTING, A SAVANT COMPANY

INFORMATION PROVIDED IS SUBJECT TO CHANGE WITHOUT NOTICE. ALL VALUES ARE DESIGN OR TYPICAL VALUES WHEN MEASURED UNDER LABORATORY CONDITIONS.

PK-00112120-3

8

5