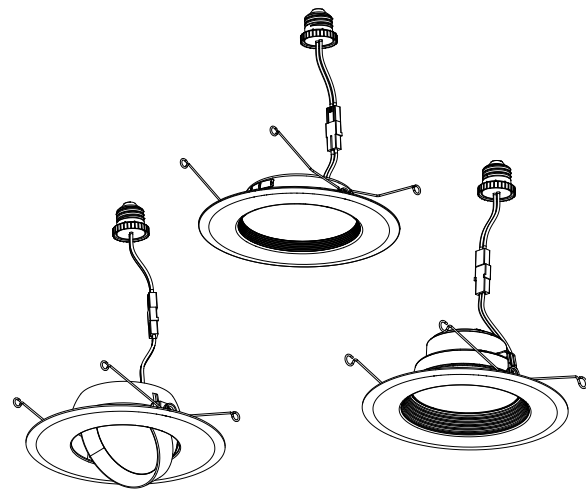




Installation Guide

LED Recessed Downlight



www.gelighting.com
GE is a trademark of General Electric Company. Used under trademark license.
©2024 Savant Technologies LLC. Information provided is subject to change without notice.
All values are design or typical values when measured under laboratory conditions.

PK-00112779-1

PRODUCTS COVERED

Model	Input voltage (Vac, Hz)	Current (mA)	Wattage (W)
LED10DRS6/G4/CCT9BQ	120, 60	110	10.3
LED14DRS6/G4/CCT9Q	120, 60	150	14
LED12DRS6/G4/RVL	120, 60	130	12
LED14DRS6G/G4/CCT9Q	120, 60	130	14
LED25DRS6UB/G4/CCT9Q	120, 60	220	25



BEFORE YOU BEGIN

Read these instructions completely and carefully.

WARNING

- Risk of fire or electric shock. LED Retrofit installation requires knowledge of luminaires electrical systems. If not qualified, do not attempt installation. Contact a qualified electrician.
- Risk of fire or electric shock. Install this kit only in the luminaires that have the construction features and dimensions shown in the photographs and/or drawings and where the input rating of the retrofit kit does not exceed the input rating of the luminaire.
- Do not make or alter any open holes in an enclosure of wiring or electrical components during kit installation.
- To prevent wiring damage or abrasion, do not expose wiring to edges of sheet metal or other sharp objects.
- This device is not intended for use with emergency exits.
- This retrofit kit is accepted as a component of a luminaire where the suitability of the combination shall be determined by authorities having jurisdiction.
- Do not replace with HID lamp.

These products are intended to retrofit Type IC or Non-IC recessed Listed luminaires with instructions to remove the existing trim. These products are intended to be used in wet locations. These products are classified as to FIRE and SHOCK hazards only.

This device complies with Part 15 of the FCC Rules. Operations is subject to the following two conditions: (1) This device may not cause harmful interference. And (2) this device must accept any interference received, including interference that may cause undesired operation. This device complies with CAN ICES-005 B.

1

Note: This equipment has been tested and found to comply with the limits for a Class B digital device, pursuant to part 15 of the FCC Rules. These limits are designed to provide reasonable protection against harmful interference in a residential installation. This equipment generates, uses and can radiate radio frequency energy and, if not installed and used in accordance with the instructions, may cause harmful interference to radio communications. However, there is no guarantee that interference will not occur in a particular installation. If this equipment does cause harmful interference to radio or television reception, which can be determined by turning the equipment off and on, the user is encouraged to try to correct the interference by one or more of the following measures:

- Reorient or relocate the receiving antenna.
- Increase the separation between the equipment and receiver.
- Connect the equipment into an outlet on a circuit different from that to which the receiver is connected.
- Consult the dealer or an experienced radio/TV technician for help.

Save These Instructions

Use only in the manner intended by the manufacturer. If you have any questions, contact the manufacturer.

Components Supplied

One LED retrofit
One pair of torsion springs for LED10DRS6/G4/CCT9BQ, LED14DRS6/G4/CCT9Q, LED12DRS6/G4/RVL
Installation instructions

PREPARE ELECTRICAL WIRING



Electrical Requirements

The LED fixture must be supplied with 120Vac 60Hz.



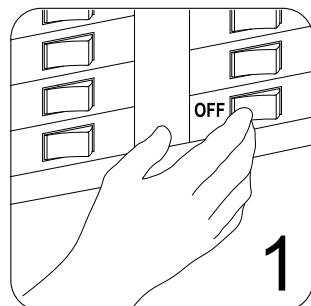
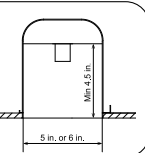
Grounding Instructions

The grounding and bonding of the overall system shall be done in accordance with National Electric Code (NEC) and local codes.

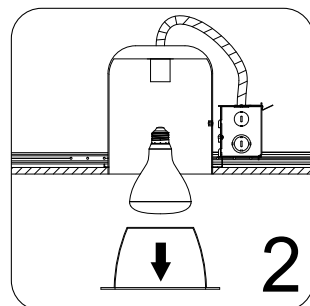
2

INSTALLATION

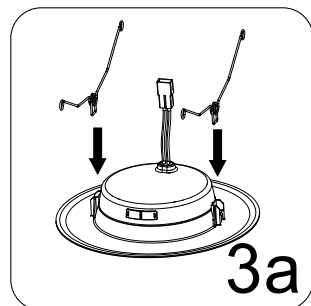
This 6 in. fixture is suitable for 5 in. or 6 in. Recessed Cans with a minimum socket plate depth of 4.5 in. (Refer to image), and it can only be installed in the housing with spring bracket.



1. Turn off power at the source to the recessed housings.

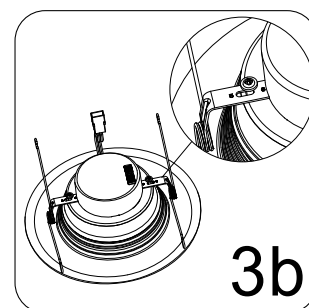


2. Remove existing trim and bulb, revealing the housing and the existing socket inside.

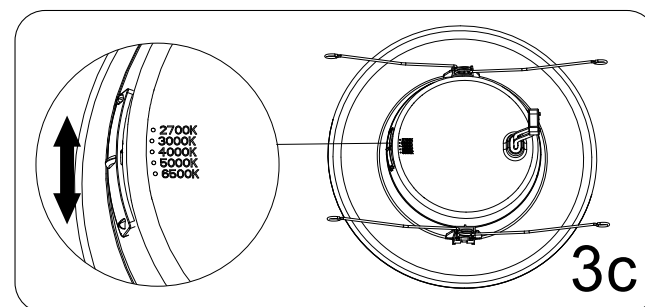


3a. Before installation
Insert the torsion springs into the housing slots, ensuring the torsion springs are fully inserted and cannot be pulled out.
Note : Applicable to LED10DRS6/G4/CCT9BQ, LED14DRS6/G4/CCT9Q, LED12DRS6/G4/RVL

3



3b. Before installation
For 5 in. recessed housings: Slide the torsion spring bracket to 5 and tighten screw using a Phillips head screwdriver.
For 6 in. recessed housings: Slide the torsion spring bracket to 6 and tighten screw using a Phillips head screwdriver.
Note : Applicable to LED25DRS6UB/G4/CCT9Q.



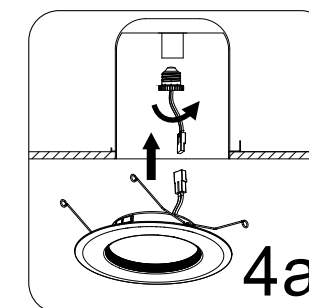
3c. Before installation
Slide the switch to select the appropriate light color.

Warmer Tones
↑
Cooler Tones

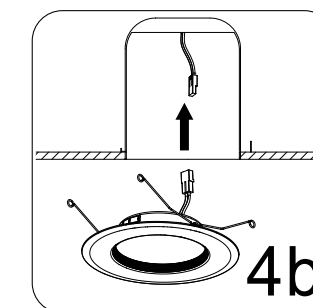
2700K-soft white
3000K-warm white
4000K-cool white
5000K-daylight
6500K-cool daylight

Note:
LED12DRS6/G4/RVL does not include a color selector switch, skip to Step 4

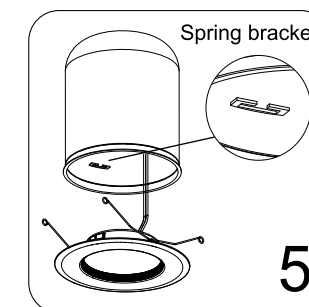
4



4a. Using Medium Screw Base
Screw the medium (E26) base into the existing socket and then connect the base to the fixture using the plug connector.

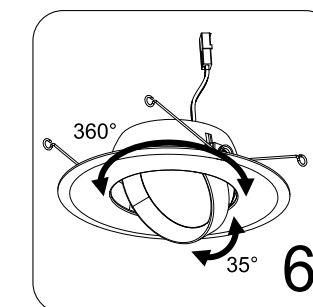


4b. Using TP24 Plug Base
Attach the connector to the connector plug inside the fixture. Discard the E26 base connector.

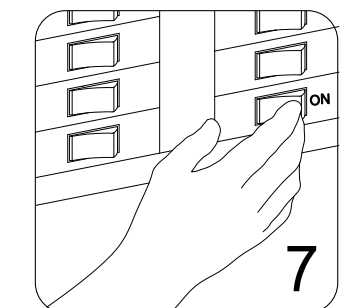


5. Installation with Torsion Springs
Ensure the torsion springs are firmly attached. Compress the torsion springs and insert into the bracket inside the housing. Release springs and gently push up until flush with the ceiling.

5



6. Adjust the gimbal to the appropriate angle.
Note : Only applicable to LED14DRS6G/G4/CCT9Q



7. Turn on power at the source.

6