

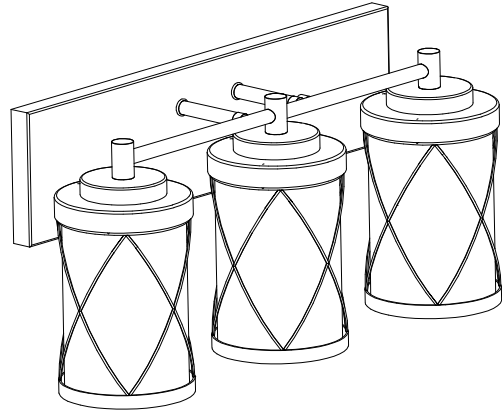
WARRANTY

If this fixture does not last for 5 years (based on 3 hours per day / 7 days per week) return fixture, proof of purchase and your name and address to GE Lighting, a Savant company, Product Service Dept., 1975 Noble Road, Cleveland, OH 44112 for a replacement. FIXTURE REPLACEMENT IS SAVANT TECHNOLOGY LLC'S SOLE WARRANTY OBLIGATION. INCIDENTAL AND CONSEQUENTIAL DAMAGES ARE EXCLUDED. This warranty does not cover the cost of installation, removal or reinstallation, or damage resulting from misuse, abuse, or damage from improper wiring or installation. You are solely responsible for (and Savant Technology LLC disclaims) any and all loss, liability, or damages, including to your wiring, electricity, home, product, product peripherals, computer, mobile device, and all other items and pets in your home, resulting from your use of the product. Some states do not allow the exclusion or limitation of incidental or consequential damages, so the above exclusion may not apply to you. This warranty gives you specific legal rights and you may also have other rights which vary from location to location.



Installation Guide

Glenwillow 3 Light Vanity



www.gelighting.com

The GE brand and logo are trademarks of the General Electric Company. ©2022 GE Lighting, a Savant company. Information provided is subject to change without notice. All values are design or typical values when measured under laboratory conditions.

PRODUCT COVERED

Model	Input voltage (Vac, Hz)
VAN3LDMWBGW	120,60

LIGHT SOURCE

Recommended Bulb	Maximum Bulb Wattage	Socket Type
ST19(Not Included)	60W	E26



BEFORE YOU BEGIN

Read these instructions completely and carefully.

WARNING

- Risk of fire or electric shock: Wall light installation requires knowledge of luminaire electrical systems. If not qualified, do not attempt installation. Contact a qualified electrician.
- Consult a qualified electrician to ensure correct connection to branch circuit. This product must be installed in accordance with the applicable installation code by a person familiar with the construction and operation of the product and the hazards involved.
- These products are intended to be used in dry or damp locations.
- Min 90°C (194°F) supply conductors suitable for operation in an ambient not exceeding 40°C (104°F).

PREPARE ELECTRICAL WIRING



Electrical Requirements

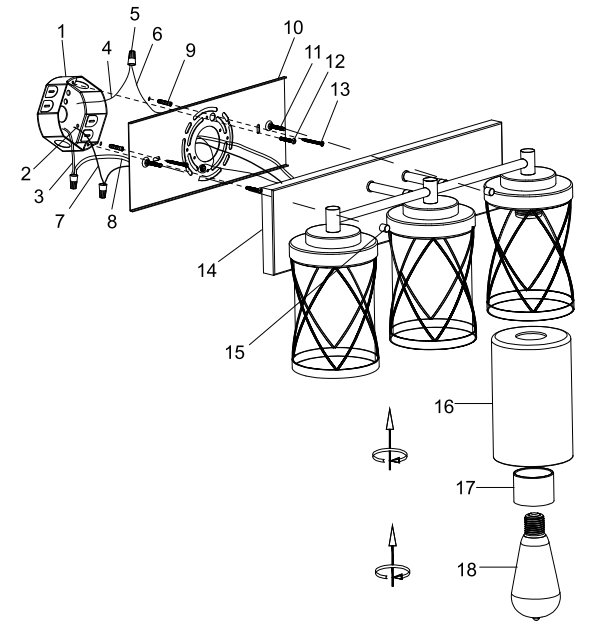
The fixture must be supplied with 120VAC 60Hz.



Grounding Instructions

The grounding and bonding of the overall system shall be done in accordance with National Electric Code(NEC) and local codes.

PACKAGE CONTENTS



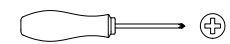
- | | |
|--|--------------------------------|
| 1. OULET BOX (NOT INCLUDED) | 10. MOUNTING BRACKET |
| 2. BLACK SUPPLY WIRE (NOT INCLUDED) | 11. FIXTURE MOUNTING SCREW x 2 |
| 3. WHITE SUPPLY WIRE (NOT INCLUDED) | 12. MOUNTING BRACKET SCREW x 2 |
| 4. POWER SUPPLY GROUND WIRE (NOT INCLUDED) | 13. SELF - TAPPING SCREW x 2 |
| 5. P4 WIRE NUT x 3 | 14. FIXTURE CANOPY |
| 6. GROUND FIXTURE WIRE | 15. CANOPY NUT x 2 |
| 7. BLACK FIXTURE WIRE | 16. GLASS SHADE x 3 |
| 8. WHITE FIXTURE WIRE | 17. SOCKET RING x 3 |
| 9. DRYWALL ANCHOR x 2 | 18. BULB (NOT INCLUDED) x 3 |

GE Lighting, a Savant company • 1-800-435-4448 • www.gelighting.com

GE IS A TRADEMARK OF GENERAL ELECTRIC COMPANY. USED UNDER TRADEMARK LICENSE. ©2021 GE LIGHTING, A SAVANT COMPANY
INFORMATION PROVIDED IS SUBJECT TO CHANGE WITHOUT NOTICE. ALL VALUES ARE DESIGN OR TYPICAL VALUES WHEN MEASURED UNDER LABORATORY CONDITIONS.

PK-00109903-1

TOOLS REQUIRED



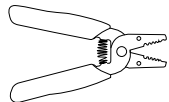
Phillips-Head Screwdriver



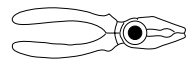
Ladder



Electrical Tape



Wire Stripper



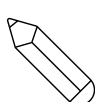
Wire Cutter



Safety Goggles



Hammer



Pencil



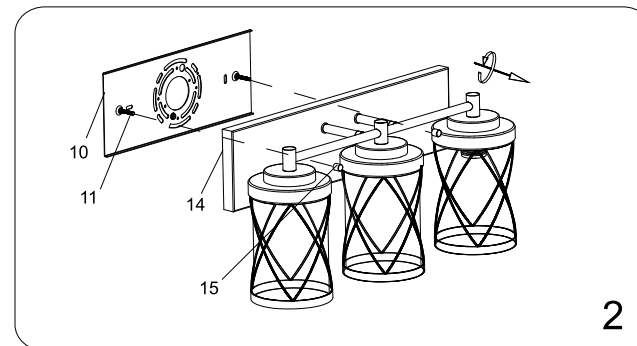
Drill with 5/16" Drill Bit

INSTALLATION

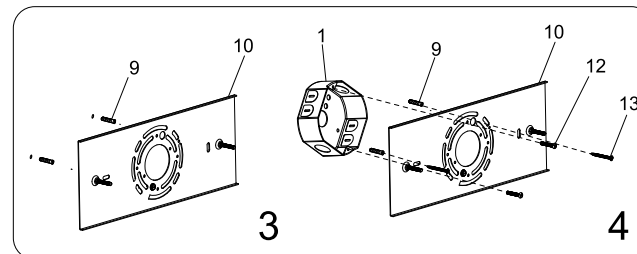
Remove the fixture and the mounting package from the box and make sure that no parts are missing by referencing the illustrations on the installation instructions.

Caution: Turn off the main power at the circuit breaker before installing the fixture. Failure to disconnect power supply prior to installation may result in possible shock or death.

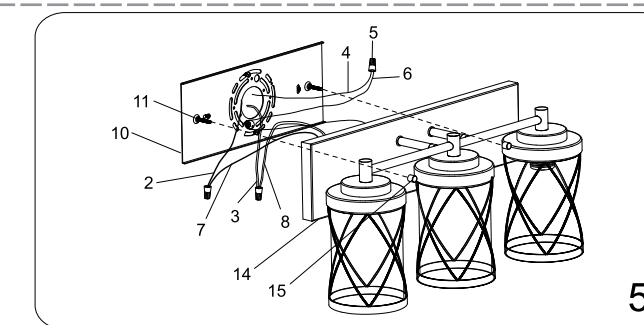
1. Remove existing fixture and disconnect all electrical wiring.
2. Remove mounting bracket[10] from fixture canopy[14] by removing canopy nuts[15].



3. Mark two hole locations on the wall that align with hole distance in mounting bracket[10]. Drill two holes with 5/16" size drill bit at the marked locations. Insert drywall anchors[9] into each drilled mounting hole.



4. Place mounting bracket[10] onto outlet box[1], fix mounting bracket[10] tightly by using two mounting bracket screws[12]. Insert self-tapping screws[13] into drywall anchors[9] to secure the mounting bracket[10] tightly against the wall.
5. Connect black supply wire[2] to black fixture wire[7] and connect white supply wire[3] to white fixture wire[8] by using P4 wire nuts[5]. Connect ground fixture wire[6] at the top of the fixture canopy[14] to power supply ground wire[4] from outlet box[1]. Wrap P4 wire nuts[5] with electrical tape for a more secure connection. Carefully tuck wires back into the outlet box[1]. Do not get wires pinched between the wall and canopy.



6. Attach fixture canopy[14] onto mounting bracket[10] using canopy nuts[15] previously removed in step 2. Tighten to secure fixture to the wall. Fixture can be mounted in the up or down position. Note: Fixture can be mounted in the up or down position.
7. Place glass shade[16] over the socket to the fixture. Screw socket ring[17] to secure glass shade[14]. Do not over tighten. Install recommended bulbs[18].

