

Works With Savant Installers

Important Safety Information – Read First!

Before installing, configuring, or operating any equipment, all relevant technical documentation must be read, understood, and followed.

Savant technical documentation may contain important product-specific installation, mounting, and safety instructions, and can be accessed through the Savant Store.

Scan the QR code or visit the URL below, enter the relevant product name or SKU in the Search Savant prompt, and select the product purchased to find documents, specifications, and more.



https://store.savant.com/DefaultStore/ccrz_HomePage

Additional Information and Warnings

FCC Compliance Statement Compliance Notice:

Warning: Changes or modifications to this unit not expressly approved by the party responsible for compliance could void the user's authority to operate the equipment.

Note: This equipment has been tested and found to comply with the limits for a Class B digital device, pursuant to Part 15 of the FCC Rules. These limits are designed to provide reasonable protection against harmful interference in a residential installation. This equipment generates, uses, and can radiate radio frequency energy and, if not installed and used in accordance with the instructions, may cause harmful interference to radio communications.

However, there is no guarantee that interference will not occur in a particular installation. If this equipment does cause harmful interference to radio or television reception, which can be determined by turning the equipment off and on, the user is encouraged to try to correct the interference by one or more of the following measures:

- Reorient or relocate the receiving antenna.
- Increase the separation between the equipment and receiver.
- Connect the equipment into an outlet on a circuit different from that to which the receiver is connected.
- Consult the dealer or an experienced radio/TV technician for help.

The device must not be collocated or operating in conjunction with any other antenna or transmitter.

This device complies with Part 15 of FCC Rules. Operation is subject to the following two conditions:

(1) this device may not cause harmful interference, and (2) this device must accept any interference received, including interference that may cause undesired operation.

GE is a trademark of General Electric Company. Used under trademark license. Amazon, Alexa, and all related logos are trademarks of Amazon.com, Inc. or its affiliates. Google and other related marks and logos are trademarks of Google LLC.

RF Exposure Information:

Caution: To maintain compliance with the FCC's RF exposure guidelines, place the product at least 20cm from nearby persons.

IC Statement

This device complies with RSS247 of Industry Canada. Cet appareil se conforme à RSS247 de Canada d'Industrie.

This device complies with Industry Canada license-exempt RSS standard(s).

Operation is subject to the following two conditions:

(1) this device may not cause interference, and (2) this device must accept any interference, including interference that may cause undesired operation of the device. Appareils radio exempts de licence.

Son fonctionnement est sujet aux deux conditions suivantes: (1) le dispositif ne doit pas produire de brouillage préjudiciable, et (2) ce dispositif doit accepter tout brouillage reçu, y compris un brouillage susceptible de provoquer un fonctionnement indésirable.

This equipment complies with IC RSS-102 radiation exposure limits set forth for an uncontrolled environment.

This transmitter must be installed to provide a separation distance of at least 20cm from all persons and must not be collocated or operating in conjunction with any other antenna or transmitter.

Cet équipement est conforme aux limites d'exposition aux rayonnements IC RSS-102 définies pour un environnement non contrôlé.

Cet émetteur doit être installé pour fournir une distance de séparation d'au moins 20 cm de toutes les personnes et ne doit pas être colocalisé ou fonctionner en conjonction avec une autre antenne ou émetteur.

CAUTION To reduce the risk of fire, electric shock, or injury to persons:

- Use only insulated staples or plastic ties to secure cords.
- Route and secure cords so that they will not be pinched or damaged when the cabinet is pushed to the wall.
- Not intended for recessed installation in ceilings, or soffits
- The National Electrical Code (NEC) does not permit cords to be concealed where damage to insulation may go unnoticed. To prevent fire danger, do not run cord behind walls, ceilings, soffits, or cabinets where it may be inaccessible for examination. Cords should be visually examined periodically and immediately replaced when any damage is noted.

Like your new Undercabinet Fixture? Share your experience!

Leave a review where you purchased the product.



CYNC reveal® Full Color Puck Light Installation Guide



Getting Started



Determine location, decide direct wire or plug in, and complete the installation



Add fixture to the Cync App, powered by Savant or Matter-compatible smart home app



Set up your Amazon Alexa or Google Home voice assistant (optional)

For set up help, call 1-844-302-2943 or visit cyncsupport.gelighting.com



Specifications

Model	Input Voltage (Vac, Hz)	Current (mA)	Wattage (W)
CFIXUNCPK03CRVDMS	120V/60Hz	0.06A	5W

Dimming Capability

NOT FOR USE WITH DIMMER SWITCHES.

Compatible with only Cync smart dimmers that provide dimming at the switch or through the Cync App.



Before you begin: Read these instructions completely and carefully.

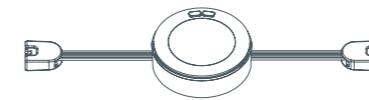
WARNING: RISK OF ELECTRIC SHOCK

Risk of fire or electric shock. Installation requires knowledge of luminaire electrical systems. If not qualified, do not attempt installation. If uncertain, contact a qualified electrician.

- To prevent wiring damage or abrasion, do not expose wiring to edges of sheet metal or other sharp objects.
- These products are intended to be used in dry or damp locations.

Let's Do It

Included:



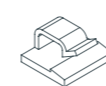
Fixture



60" Power Cord



12" Linking Cable



Cable Clip



Terminal Cap



Mounting Screw



Reference Template



Double-Sided Tape

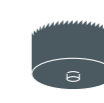
You'll need:



1/8" Drill Bit



Phillips Head Screwdriver



Hole Saws 1-1/4" and 3"

Prepare Electrical Wiring

ELECTRICAL REQUIREMENTS

The LED fixture must be supplied with 120VAC 60Hz.

GROUNDING INSTRUCTIONS

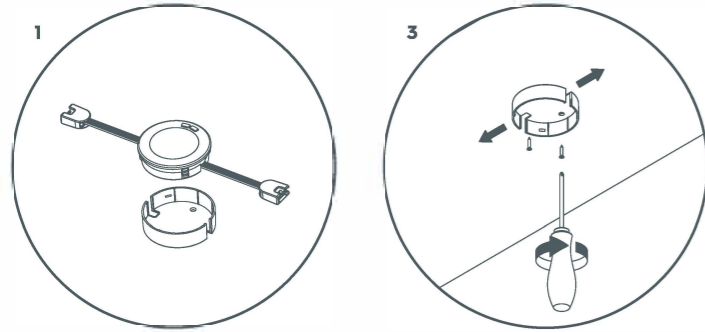
The grounding and bonding of the overall system shall be done in accordance with National Electric Code (NEC) and local codes.

BEFORE YOU DO ANYTHING: Step 1
Turn Off The Power!

Turn off power source at the main circuit breaker or fuse box.

Step 2
Install trim ring

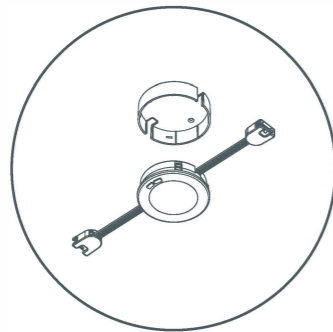
1. Separate the trim ring by pushing on edge of puck assembly.
2. Place the trim ring in the desired position. Pay attention to cable direction.
3. Install the trim ring by inserting the mounting screws. Provided screws are suitable for cabinet bottoms 3/8" or thicker. It may be required to pre-drill a pilot hole for the screws using a 3mm or 1/8" size drill bit.



Step 3
Insert lamp

1. Insert lamp into the trim ring.

Note: Pay attention to cable direction. Make sure that the terminal with "AC IN" mark is pointed at your socket.



Step 4
Repeat with remaining pucks

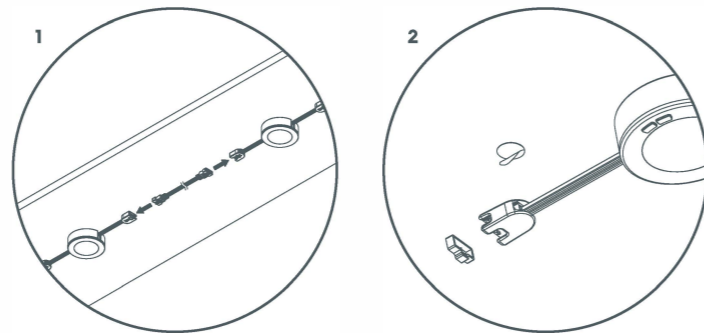
1. Repeat steps 2 and 3 to install the remaining pucks.

Note: Pay attention to the distance between pucks. Max. distance is approximately 19" (longer linking cables can be bought separately to increase the distance between pucks).

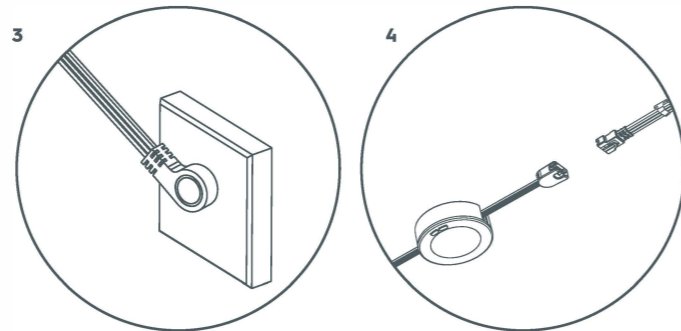
NOTE: Pucks can be controlled individually or grouped together in the app whether they are joined together or powered individually.

Step 5
Connect pucks and plug in

1. Connect pucks with each other by using linking cables. (Connect up to 10 pucks from one power source.)
2. Cover the last terminal with a terminal cap, then stick it to the mounting surface with provided double-sided tape.



3. Plug in power cord to an electrical outlet.
4. Plug in power cord to "AC IN" side of the puck, then secure cord using the provided cable clips. Turn on the power at the circuit breaker or fuse box and verify that the fixture functions properly.



Congratulations!

You've completed the Undercabinet Fixture installation.

Next, refer to the Quick Start Guide included in the package for app set up.

Matter vs. Cync App

You may set up your bulb through CYNC or Matter, but not both. To switch after setting up, you will need to reset the bulb and set up again.

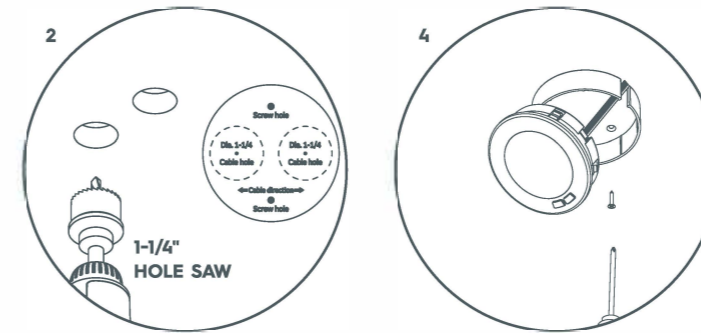
NOTE: You may see a "set up using Matter" notification on your phone. To set up in the Cync App, powered by Savant, dismiss the notification.

BEFORE YOU DO ANYTHING: Step 1
Turn Off The Power!

Turn off power source at the main circuit breaker or fuse box.

Step 2
Install puck

1. Separate the trim ring by pushing on edge of puck assembly. (Reference traditional surface mount section for illustration.)
2. Use reference template to drill two pilot screw holes. Use a hole saw to drill two 1-1/4" cable holes.
3. Pass the cables through the trim ring. Insert terminals through the 1-1/4" holes.
4. Tilt the puck slightly, then secure the trim ring to the mounting surface by tightening two mounting screws in the pilot holes.
5. Gently push the puck back into the trim ring.

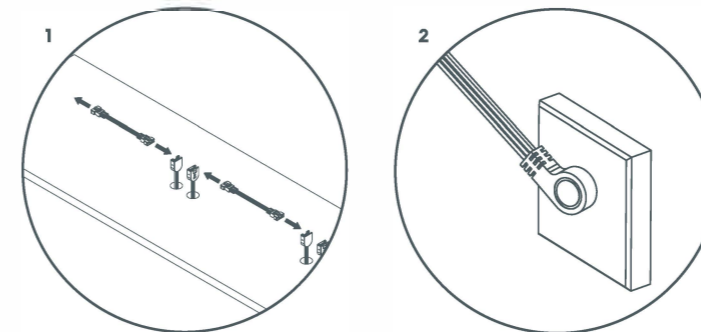


Step 3
Repeat and connect to power

1. Install the remaining pucks in the same way.

Note: Pay attention to the distance between pucks. Max. distance is approximately 19" (longer linking cables can be bought separately to increase the distance between pucks).

2. Continue from **Step 5** of traditional surface mount section to cover the last terminal and plug in power cord. Turn on the power at the circuit breaker or fuse box and verify that the fixture functions properly. Then set up in your preferred app.

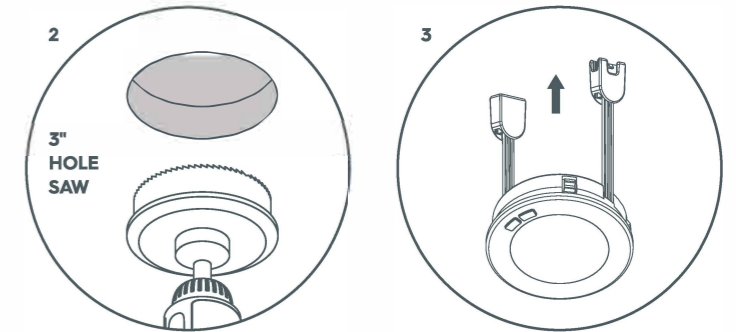


BEFORE YOU DO ANYTHING: Step 1
Turn Off The Power!

Turn off power source at the main circuit breaker or fuse box.

Step 2
Install puck

1. Separate the trim ring by pushing on edge of puck assembly. (Reference traditional surface mount section for illustration.)
 2. Use a 3" hole saw to drill a hole in the mounting surface.
 3. Pass the cables through the hole and insert the puck into the hole.
- Note:** Pay attention to cable direction. Make sure that the terminal with "AC IN" mark is pointed at your socket.



Step 3
Repeat and connect to power

1. Install the remaining pucks in the same way.

Note: Pay attention to the distance between pucks. Max. distance is approximately 19" (longer linking cables can be bought separately to increase the distance between pucks). Fixtures are linkable up to a maximum of 10 units and a wattage maximum of 220W.

2. Reference **Step 5** of traditional surface mount section to cover the last terminal and plug in power cord. Turn on the power at the circuit breaker or fuse box and verify that the fixture functions properly. Then set up in your preferred app.

