

reveal® Wafer Downlight Installation Guide

4-in & 6-in High Lumen Integrated LED Recessed Fixture

Getting Started



Determine location and complete installation



Add your Wafer Downlight to your preferred app



Set up your voice assistant (optional)

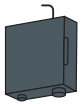
For set up help, visit cyncsupport.gelighting.com or call 1-844-302-2943



Let's Do It

Included:

Sold separately:



Junction Box with Wiring Connectors



Integrated Light Fixture



Hole Template



Strain Relief (optional)

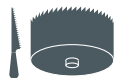
You'll need:



Hammer (optional)



Flathead Screwdriver (optional)



Drywall Saw or Hole Saw (4" or 6" diameter)



Ladder



Safety Glasses



Needle Nose Pliers (optional)



Wire Strippers (optional)

Specifications

Model	Input Voltage (Vac, Hz)	Current (mA)	Wattage (W)
Full Color High Ceiling 4" CFIXCNLRH4CRVDMS	120, 60	150	18
Full Color High Ceiling 6" CFIXCNLRH6CRVDMS	120, 60	250	28

Dimming Capability

NOT FOR USE WITH DIMMER SWITCHES.

Compatible with only CYNCR smart dimmers that provide dimming at the switch or through the CYNCR App.



Before you begin: Read these instructions completely and carefully.

⚠ WARNING: RISK OF ELECTRIC SHOCK

Risk of fire or electric shock. Installation requires knowledge of luminaire electrical systems. If not qualified, do not attempt installation. Minimum 90°C Conductors, if uncertain contact a qualified electrician.

- To prevent wiring damage or abrasion, do not expose wiring to edges of sheet metal or other sharp objects.
- These products are intended to be used in dry, damp, or wet locations.
- IC rated for direct contact with insulation.

Prepare Electrical Wiring

ELECTRICAL REQUIREMENTS

The LED fixture must be supplied with 120VAC 60Hz

GROUNDING INSTRUCTIONS

The grounding and bonding of the overall system shall be done in accordance with National Electric Code (NEC) Article 410 and local codes.

Compatible Mounting Bracket (sold separately)

Available wafer downlight mounting bracket (CANACMT) designates the light location during construction. Works with GE branded 2"/4"/6" diameter wafers.

You Got This!

And we're here to help.

For in-depth instructional videos and a guided tour through the installation, go to:

cyncsupport.gelighting.com
or call 1-844-302-2943

BEFORE YOU DO ANYTHING: Step 1

Turn Off The Power!

Turn off power source at the main circuit breaker or fuse box.

Step 2

Mark the Location on the Ceiling & Cut the Hole

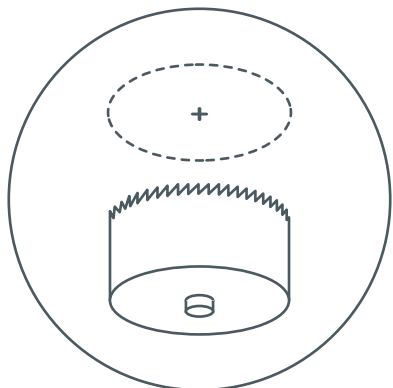
1. Determine the position of your downlight:

- Maximum distance from junction box to the downlight is 16 inches.
- Location must be within range of 2.4GHz Wi-Fi to enable smart control.
- If retrofitting, find path of access above the ceiling.

2. Once determined, use the hole template to trace the hole size. Cut the hole using a drywall or hole saw.

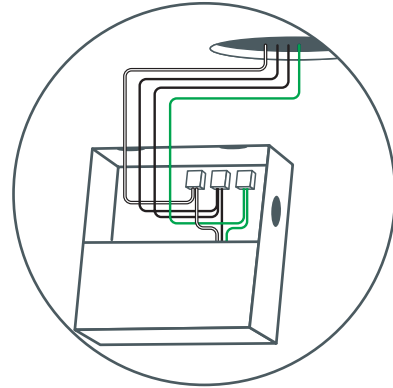
- 4 inch wafer requires a 4 inch hole
- 6 inch wafer requires a 6 inch hole

Note: Reference the guide included with the Installation Mounting Template if using for installation. Installation mounting template sold separately. Not necessary for installation.

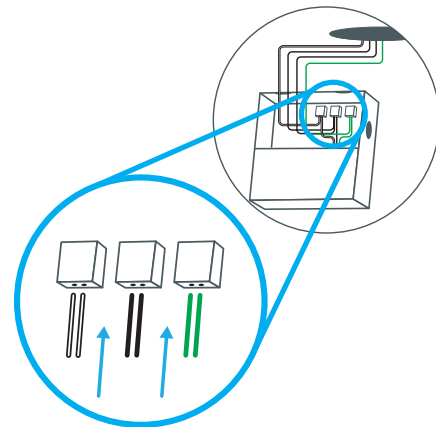


Step 3

Use the Wire Connectors to Wire the Wafer Downlight



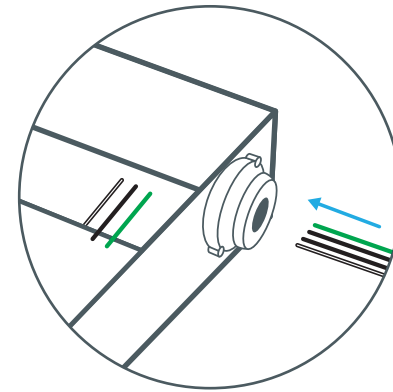
1. Open the top of the junction box and locate the three quick connectors inside.
2. Route the wires from the switch through the wire notch on side of the junction box.
3. Connect the wires to the quick connectors by inserting the wire into the middle hole. Using the quick connectors:
 - Connect the black wire to the black wire.
 - Connect the white wire to the white wire.
 - Connect the green or bare copper wire to the green wire.



4. Gently pull on the wires to make sure they are properly connected.
5. Tuck the wires and connectors inside the junction box.
6. Close the junction box.

Alternative Installation

1. Remove knockouts using a hammer and screwdriver, mount the strain relief (sold separately) and route the wires through.
2. Follow the wiring instructions above to complete wiring installation.



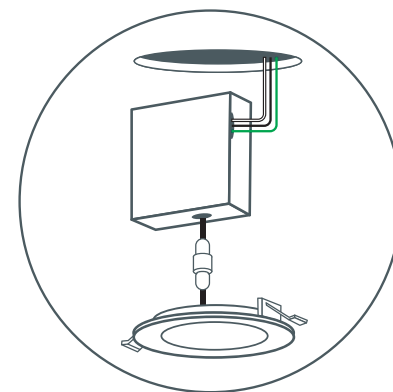
Step 4

Place Junction Box in the Ceiling & Install the Fixture

1. Place the junction box in the ceiling through the hole.

Note: While it is not necessary to mount this fixture to a joist, be sure to follow your building code requirements, as well as national and local electric code for mounting.

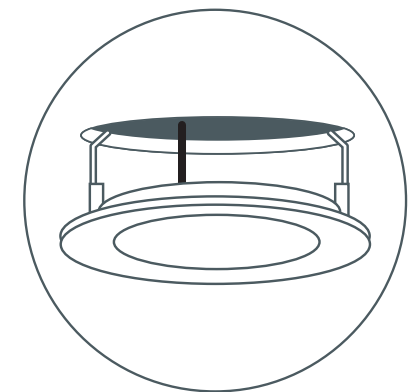
2. Connect the light to junction box using the connector.
3. Screw the connector together to complete the connection.



Step 5

Complete Setup

1. Hold the spring clips against the fixture and gently guide into the ceiling until the clips snap into place.
2. Complete setup in the Cync App.



Congratulations!

You've completed the reveal® Wafer Downlight installation.

Next, refer to the Quick Start Guide included in the package for app set up.

Matter vs. Cync App

You may set up your device through CYNC or Matter, but not both. To switch after setting up, you will need to reset the device and set up again.

NOTE: You may see a "set up using Matter" notification on your phone. To set up in the Cync App, powered by Savant, dismiss the notification.

Additional Information and Warnings

FCC Compliance Statement Compliance Notice:

▲ Warning: Changes or modifications to this unit not expressly approved by the party responsible for compliance could void the user's authority to operate the equipment.

Note: This equipment has been tested and found to comply with the limits for a Class B digital device, pursuant to Part 15 of the FCC Rules. These limits are designed to provide reasonable protection against harmful interference in a residential installation. This equipment generates, uses, and can radiate radio frequency energy and, if not installed and used in accordance with the instructions, may cause harmful interference to radio communications.

However, there is no guarantee that interference will not occur in a particular installation. If this equipment does cause harmful interference to radio or television reception, which can be determined by turning the equipment off and on, the user is encouraged to try to correct the interference by one or more of the following measures:

- **Reorient or relocate the receiving antenna.**
- **Increase the separation between the equipment and receiver.**
- **Connect the equipment into an outlet on a circuit different from that to which the receiver is connected.**
- **Consult the dealer or an experienced radio/TV technician for help.**

The device must not be co-located or operating in conjunction with any other antenna or transmitter.

This device complies with part 15 of FCC rules. Operation is subject to the following two conditions:

(1) this device may not cause harmful interference, and (2) this device must accept any interference received, including interference that may cause undesired operation.

RF Exposure Information:

▲ Caution: To maintain compliance with the FCC's RF exposure guidelines, place the product at least 20cm from nearby persons.

IC Statement

This device complies with RSS247 of Industry Canada. Cet appareil se conforme à RSS247 de Canada d'Industrie.

This device complies with Industry Canada license-exempt RSS standard(s).

Operation is subject to the following two conditions:

(1) this device may not cause interference, and (2) this device must accept any interference, including interference that may cause undesired operation of the device. Appareils radio exempts de licence.

Son fonctionnement est sujet aux deux conditions suivantes: (1) le dispositif ne doit pas produire de brouillage préjudiciable, et (2) ce dispositif doit accepter tout brouillage reçu, y compris un brouillage susceptible de provoquer un fonctionnement indésirable.

This equipment complies with IC RSS-102 radiation exposure limits set forth for an uncontrolled environment.

This transmitter must be installed to provide a separation distance of at least 20cm from all persons and must not be collocated or operating in conjunction with any other antenna or transmitter.

Cet équipement est conforme aux limites d'exposition aux rayonnements IC RSS-102 définies pour un environnement non contrôlé.

Cet émetteur doit être installé pour fournir une distance de séparation d'au moins 20 cm de toutes les personnes et ne doit pas être colocalisé ou fonctionner en conjonction avec une autre antenne ou émetteur.

**Like your new Wafer Downlight?
Share your experience!**

Leave a review where you purchased the product.

