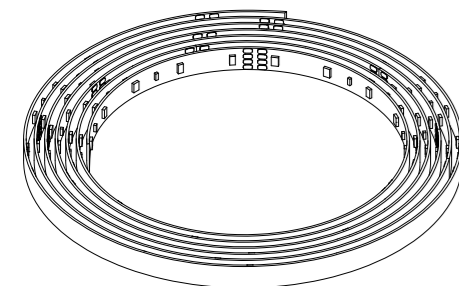




Installation Guide

LED+ Color Strip



www.gelighting.com
The GE brand and logo are trademarks of the General Electric Company.
©2022 GE Lighting. Information provided is subject to change without notice.
All values are design or typical values when measured under laboratory conditions.

PRODUCT COVERED

Model	Strip Length	Input voltage (Vac, Hz)	Current (A)	Wattage (W)
LED+STR16PURGBM	16.4 ft	120, 60	0.15	8
LED+STR32PURGBM	32.8 ft	120, 60	0.22	13

DIMMING

The Color strip is ONLY dimmable with the remote control.



BEFORE YOU BEGIN

Read these instructions completely and carefully.



Electrical Requirements

The Color strip must be supplied with 120Vac 60Hz.

WARNING

These products are intended to be used in dry or damp locations.

CONTROLLER

The strip has a memory function and will turn ON at the last color setting.

- Sync to music button, use it to switch to gentle party or energetic party modes.
- Color** Color Buttons, use these to select different colors and mode.
- On/Off button, turn on or turn off the strip light.

PACKAGE CONTENTS

LED+STR16PURGBM

- LED+ Color Strip 1x
- Remote 1x
- Adapter 1x
- Controller 1x
- Mounting Clips 5x
- Screws 5x

LED+STR32PURGBM

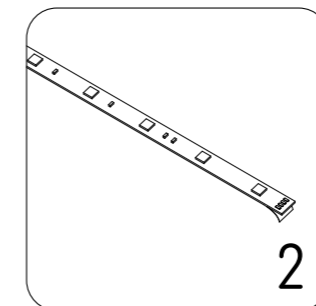
- LED+ Color Strip 2x
- Remote 1x
- Adapter 1x
- Controller 1x
- Mounting Clips 10x
- Screws 10x

INSTALLATION

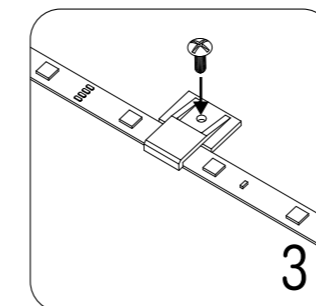
DO NOT POWER ON THE ADAPTER UNTIL INSTALLATION IS COMPLETE.



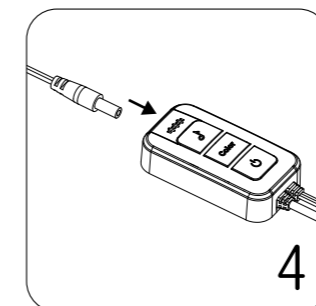
Clean the mounting surface and keep it dry. This product is not suitable for textured, porous, wallpaper, or brick wall surface.



Remove the paper liner from strip light and press against the mounting surface.



For suitable surfaces, provided clips and screws can be used to secure the strip in place. Do not reposition strip light once it is mounted.



Connect the strip light to IR controller, stick the controller to a dry and clean location using the 3M tape. Connect power adapter to IR controller and plug the adapter into the outlet.

LENGTH CUSTOMIZATION

Adjust strip light length. It should only be cut in the designated locations. But once it be cut, it cannot connect to another strip.

If more strips contained in package, connect strips by connector directly. The connector appearance will vary according to products.

REMOTE CONTROL

NOTE: Pull out the plastic card from the battery compartment before using your remote.

- turn on or turn off the Color strip.
- use it to automatically turn off the lights after a pre-selected time. Press once for 1 hour, twice for 2 hours, and so on for a maximum of 8 hours.
- use it to switch to gentle party or energetic party modes.
- use it to switch to smooth and fade modes.
- use it to switch to white light mode.
- use it to increase the brightness.
- use it to decrease the brightness.
- use these to select different colors.

CHANGING THE BATTERY

Push tab and open, illustrated above, to change the CR2025 battery

WARNING

Chemical Burn Hazard- Do not ingest or swallow coin cell battery. This remote control contains a coin cell battery. If the coin cell battery is swallowed or ingested, it can cause severe internal burns in just 2 hours and can lead to death. Keep new and used coin batteries away from children. If the battery compartment does not close securely, stop using the remote control and keep away from children. If you think coin cell batteries have been swallowed or placed inside any part of body, seek immediate medical attention.

GE Lighting, a Savant company
1-800-435-4448 • www.gelighting.com

GE IS A TRADEMARK OF GENERAL ELECTRIC COMPANY. USED UNDER TRADEMARK LICENSE. ©2022 GE LIGHTING, A SAVANT COMPANY

INFORMATION PROVIDED IS SUBJECT TO CHANGE WITHOUT NOTICE. ALL VALUES ARE DESIGN OR TYPICAL VALUES WHEN MEASURED UNDER LABORATORY CONDITIONS.

PK-00108341-1