

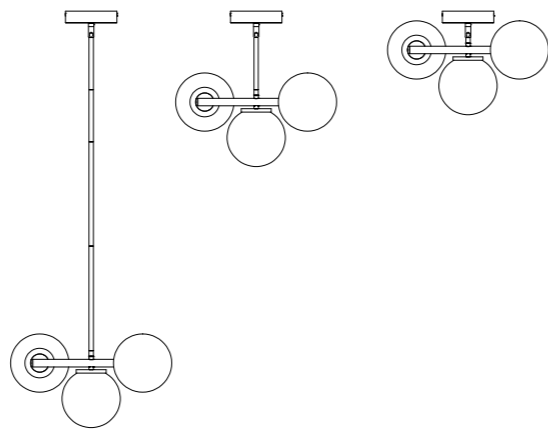
WARRANTY

If this fixture does not last for 5 years (based on 3 hours per day / 7 days per week) return fixture, proof of purchase and your name and address to GE Lighting, a Savant company, Product Service Dept., 1975 Noble Road, Cleveland, OH 44112 for a replacement. FIXTURE REPLACEMENT IS SAVANT TECHNOLOGY LLC'S SOLE WARRANTY OBLIGATION. INCIDENTAL AND CONSEQUENTIAL DAMAGES ARE EXCLUDED. This warranty does not cover the cost of installation, removal or reinstallation, or damage resulting from misuse, abuse, or damage from improper wiring or installation. You are solely responsible for (and Savant Technology LLC disclaims) any and all loss, liability, or damages, including to your wiring, electricity, home, product, product peripherals, computer, mobile device, and all other items and pets in your home, resulting from your use of the product. Some states do not allow the exclusion or limitation of incidental or consequential damages, so the above exclusion may not apply to you. This warranty gives you specific legal rights and you may also have other rights which vary from location to location.



Installation Guide

Solon 3 Light Chandelier, Integrated LED, 5 Color Temperatures



GE Lighting, a Savant company • 1-800-435-4448 • www.gelighting.com

GE IS A TRADEMARK OF GENERAL ELECTRIC COMPANY. USED UNDER TRADEMARK LICENSE. ©2022 GE LIGHTING, A SAVANT COMPANY
INFORMATION PROVIDED IS SUBJECT TO CHANGE WITHOUT NOTICE. ALL VALUES ARE DESIGN OR TYPICAL VALUES WHEN MEASURED UNDER LABORATORY CONDITIONS.

www.gelighting.com

The GE brand and logo are trademarks of the General Electric Company.
©2022 GE Lighting, a Savant company. Information provided is subject to change without notice.
All values are design or typical values when measured under laboratory conditions.

PK-00109513-1

PRODUCT COVERED

Model	Input voltage (Vac,Hz)	Current (A)	Wattage (W)	Lumens (lm)
CHA3LDI137D85CSGSL	120,60	0.25A	25W	1375lm
CHA3LDI137D85CMBSL	120,60	0.25A	25W	1375lm
CHA3LDI137D85CBNSL	120,60	0.25A	25W	1375lm



BEFORE YOU BEGIN

Read these instructions completely and carefully.

DIMMING

- The luminaire is dimmable with most commonly available dimmers.
- Ensure that your dimmer is rated for LED or CFL loads and has a low-end trim or calibration. Follow the dimmer manufacturer's instructions to set the low-end dimming.

WARNING

- Risk of fire or electric shock: LED wall light installation requires knowledge of luminaires electrical systems. If not qualified, do not attempt installation. Contact a qualified electrician.
- Consult a qualified electrician to ensure correct branch circuit. This product must be installed in accordance with the applicable installation code by a person familiar with the construction and operation of the product and the hazards involved.
- These products are intended to be used in dry or damp locations.
- Min 90°C (194°F) supply conductors suitable for operation in an ambient not exceeding 40°C (104°F).

This device complies with Part 15 of the FCC Rules. Operations is subject to the following two conditions: (1) This device may not cause harmful interference. And 2) this device must accept any interference received, including interference that may cause undesired operation. This device complies with CAN ICES-005 B.

Note: This equipment has been tested and found to comply with the limits for a Class B digital device, pursuant to part 15 of the FCC Rules. These limits are designed to provide reasonable protection against harmful interference when the equipment is operated in a commercial environment. This equipment generates, uses, and can radiate radio frequency energy and, if not installed and used in accordance with the instruction manual, may cause harmful interference to radio communications. Operation of this equipment in a residential area may cause harmful interference in which case the user will be required to correct the interference at his own expense.

PREPARE ELECTRICAL WIRING



Electrical Requirements

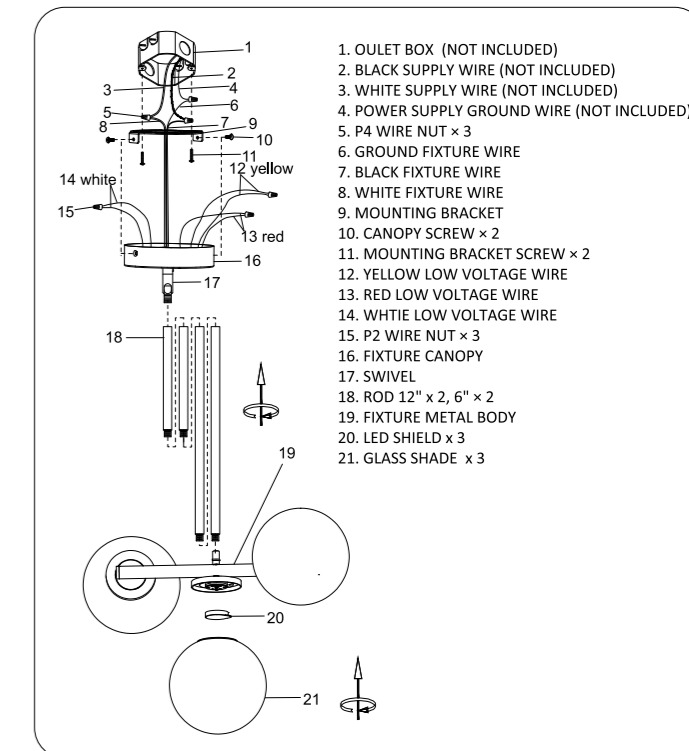
The LED fixture must be supplied with 120VAC 60Hz.



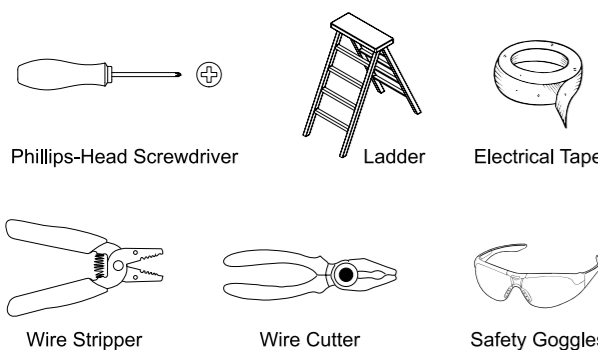
Grounding Instructions

The grounding and bonding of the overall system shall be done in accordance with National Electric Code(NEC) and local codes.

PACKAGE CONTENTS

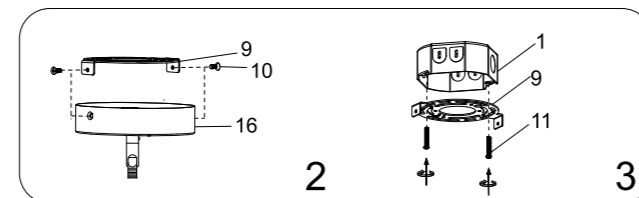


TOOLS REQUIRED



Caution: Turn off the main power at the circuit breaker before installing the fixture. Failure to disconnect power supply prior to installation may result in possible shock or death.

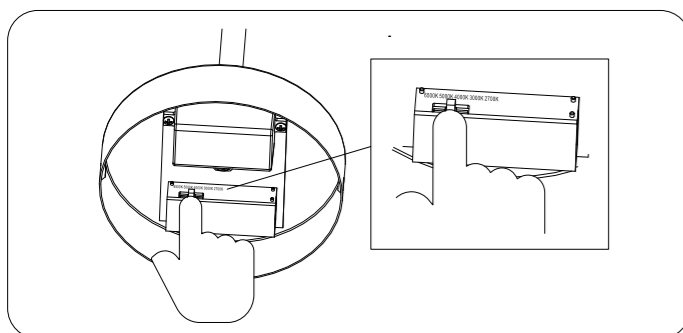
- Remove existing fixture and disconnect all electrical wiring.
- Remove mounting bracket[9] from fixture canopy[16] by removing canopy screws[10] from the edges of fixture canopy[16].
- Place mounting bracket[9] onto outlet box[1], then fix mounting bracket[9] tightly by using two mounting bracket screws[11].



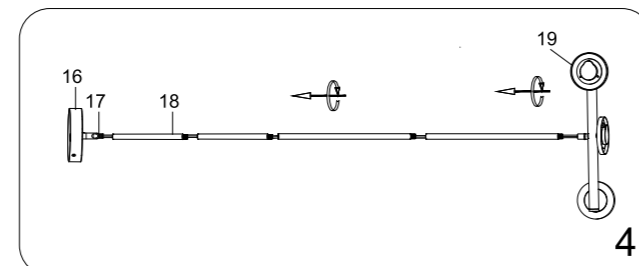
INSTALLATION

Remove the fixture and the mounting package from the box and make sure that no parts are missing by referencing the illustrations on the installation instructions.

Before installation, select your preferred correlated color temperature (CCT) by moving the switch to 2700K, 3000K, 4000K, 5000K, or 6500K.

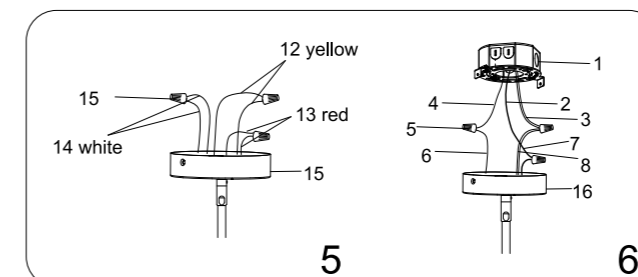


- Choose the desired pendant length and rods[18] accordingly. Pass the fixture wire through the rods[18]. Screw the rods together using threaded segments. Pass the fixture wire through the swivel[17] and into the fixture canopy[16]. Be sure all rods are completely secure.

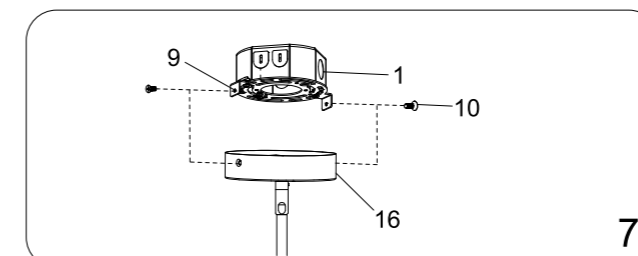


- Make low voltage wire connections. Connect two yellow low voltage wires[12] from CCT switch and canopy by using P2 wire nuts[15] carefully. Repeat this operation for red wires[13] and white wires[14]. Wrap P2 wire nuts[15] with electrical tape for a more secure connection.

- Connect black supply wire[2] to black fixture wire[7] and connect white supply wire[3] to white fixture wire[8] by using P4 wire nuts[5]. Connect ground fixture wire[6] at the top of the fixture canopy[16] to power supply ground wire[4] from outlet box[1]. Wrap P4 wire nuts[5] with electrical tape for a more secure connection. Carefully tuck wires back into the outlet box[1]. Do not get wires pinched between ceiling and canopy.



- Attach fixture canopy[16] onto mounting bracket[9] using canopy screws[10] previously removed in step 2. Make sure connections are secure. Note: Adjust the angle of swivel to the right position.



- Remove LED shield[20] from fixture metal body[19]. Do not touch LED during or after installation.
- Screw glass shade[21] onto threaded socket of fixture metal body[19] in a clockwise direction. Repeat for remaining glass shades[21]. Do not over tighten.

