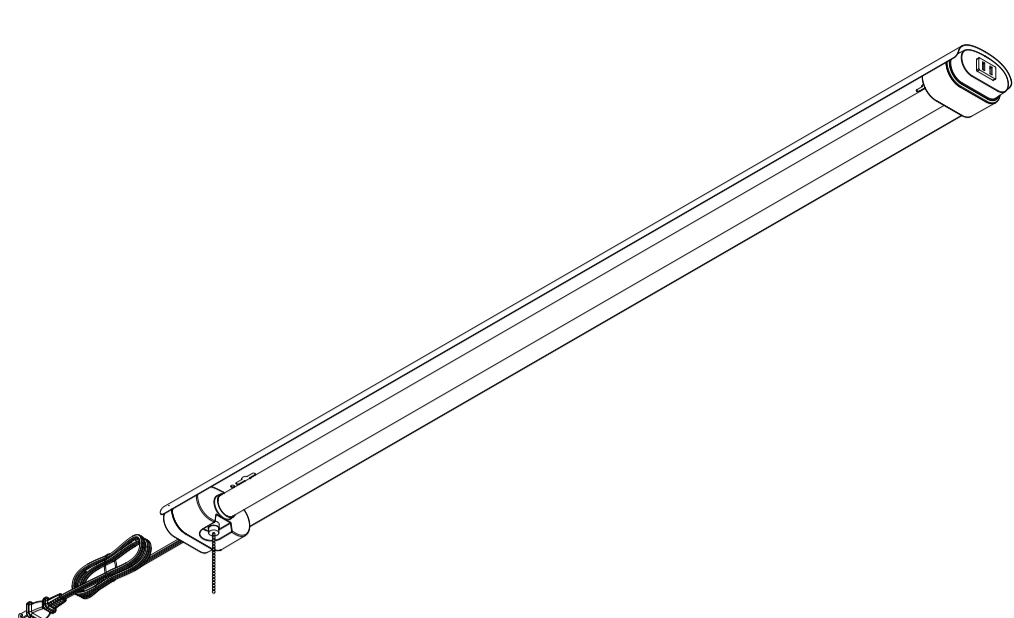




# Installation Guide

## Shop Light



GE Lighting, a Savant company • 1-800-435-4448 • www.gelighting.com  
 GE IS A TRADEMARK OF GENERAL ELECTRIC COMPANY. USED UNDER TRADEMARK LICENSE.  
 INFORMATION PROVIDED IS SUBJECT TO CHANGE WITHOUT NOTICE. ALL VALUES ARE DESIGN OR TYPICAL VALUES WHEN MEASURED UNDER  
 LABORATORY CONDITIONS.  
 ©2020 GE LIGHTING, A SAVANT COMPANY  
 PK-00105535-4

### IMPORTANT SAFETY INSTRUCTION

This portable luminaire has a polarized plug (one blade is wider than the other) as a feature to reduce the risk of electric shock. This plug will fit in a polarized outlet only one way. If the plug does not fit fully in the outlet, reverse the plug. If it still does not fit, contact a qualified electrician. Never use with an extension cord unless plug can be fully inserted. Do not alter the plug.

TO PREVENT ELECTRIC SHOCK, MATCH WIDE BLADE OF PLUG TO WIDE SLOT  
 POUR EVITER LES CHOCS ELECTRIQUES, INTRODUIRE LA LAME LA PLUS LARGE  
 DE LA FICHE DANS LA FENTE LA PLUS LARGE.

### PRODUCT COVERED

Model	Input voltage (Vac, Hz)	Current (mA)	Wattage (W)
SHP48PI400-840WTLG2	120, 60	480	45
SHP48PI500-840WTL	120, 60	375	45

**STOP** BEFORE YOU BEGIN  
 Read these instructions completely and carefully.

### WARNING

- Risk of shock. House electric current can cause painful shock or serious injury unless handled properly.
- Turn off the main power at the circuit breaker before installing the fixture, in order to prevent possible shock.
- The luminaire is non-dimmable.
- The luminaire is for residential use only.
- Suitable for damp location.
- Linkable up to 12 units.

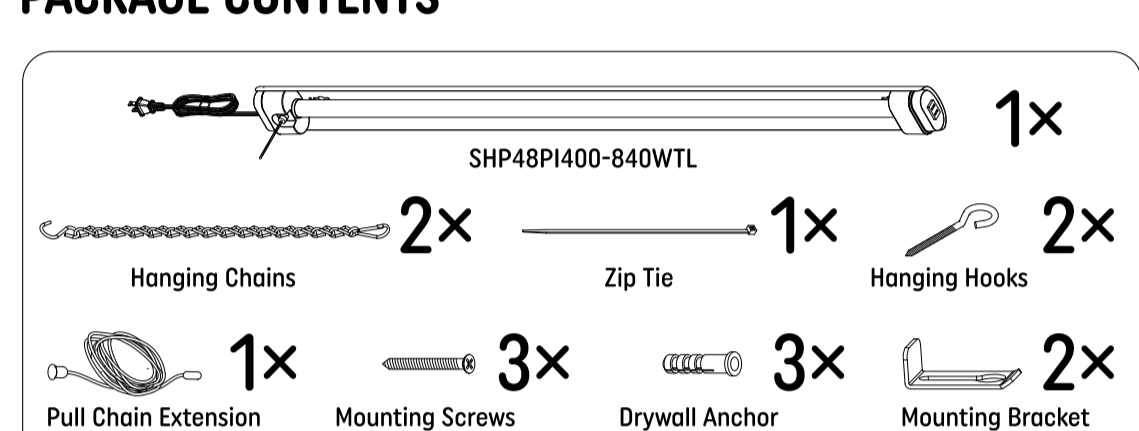
All electrical connections must be in accordance with local National Electrical Code (N.E.C.) standards. If you are unfamiliar with proper electrical wiring connections obtain the service of a qualified electrician. This fixture is intended to be only installed directly beneath a ceiling-mounted receptacle. Remove the fixture and the mounting package from the box and make sure that no parts are missing by referencing the illustrations on the installation instruction.

### PREPARE ELECTRICAL WIRING

- Electrical Requirements**  
The LED fixture must be supplied with 120VAC 60Hz.
- Grounding Instructions**  
The grounding and bonding of the overall system shall be done in accordance with National Electric Code (NEC) Article 600 and local codes.

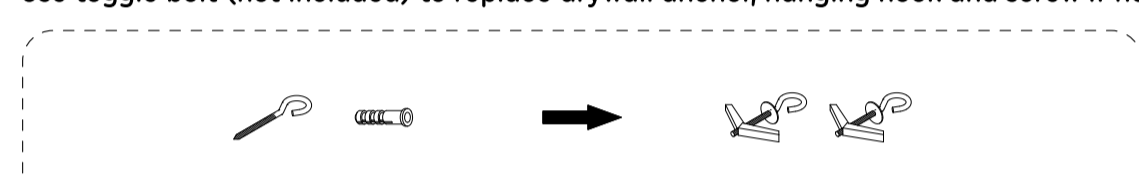
**Note:** This device complies with part 15 of the FCC Rules. Operation is subject to the following two conditions: (1) This device may not cause harmful interference; (2) this device must accept any interference received, including interference that may cause undesired operation.  
**Risk of Damage:** Must use UL approved conduit fittings for all enclosure box connections to prevent wire cuts by sharp edges and excessive strain on wiring.

### PACKAGE CONTENTS

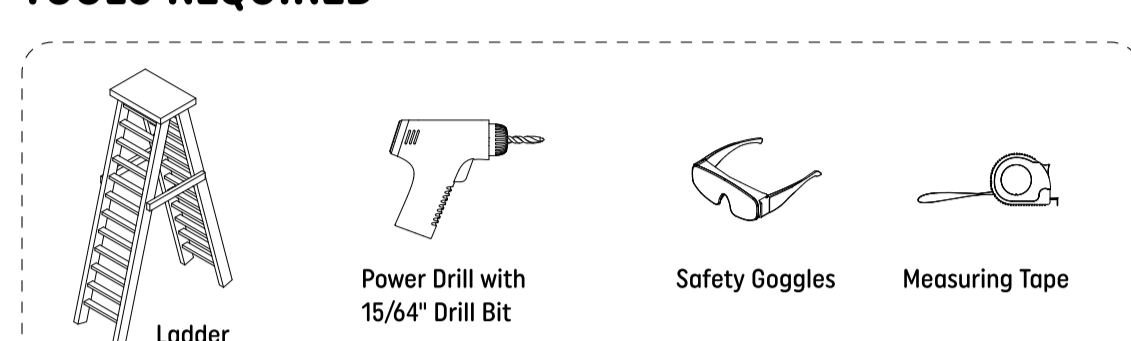


### ALTERNATIVE MOUNTING OPTION

Use toggle bolt (not included) to replace drywall anchor, hanging hook and screw if needed.



### TOOLS REQUIRED

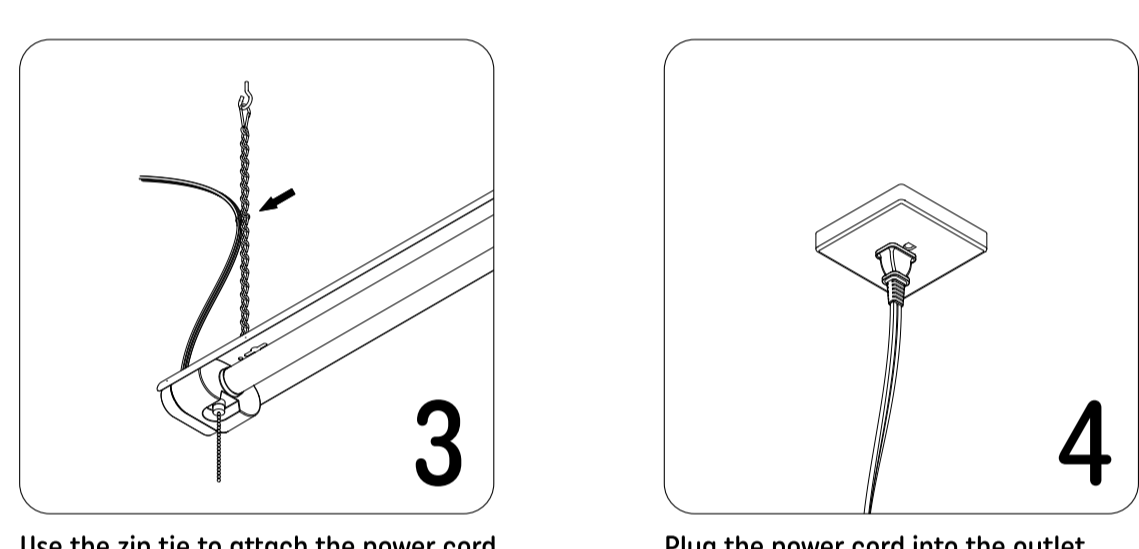
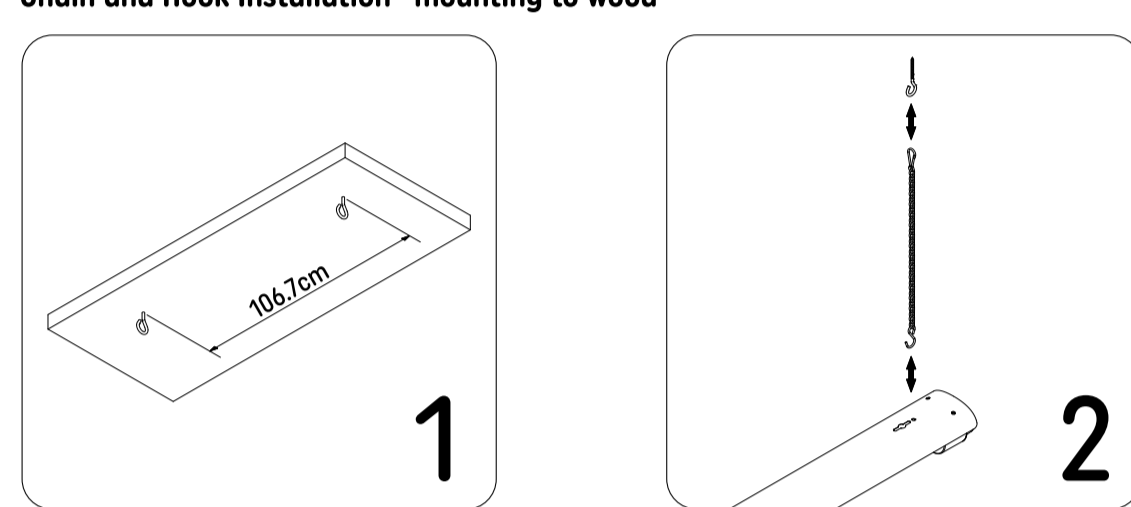


### PRE INSTALLATION

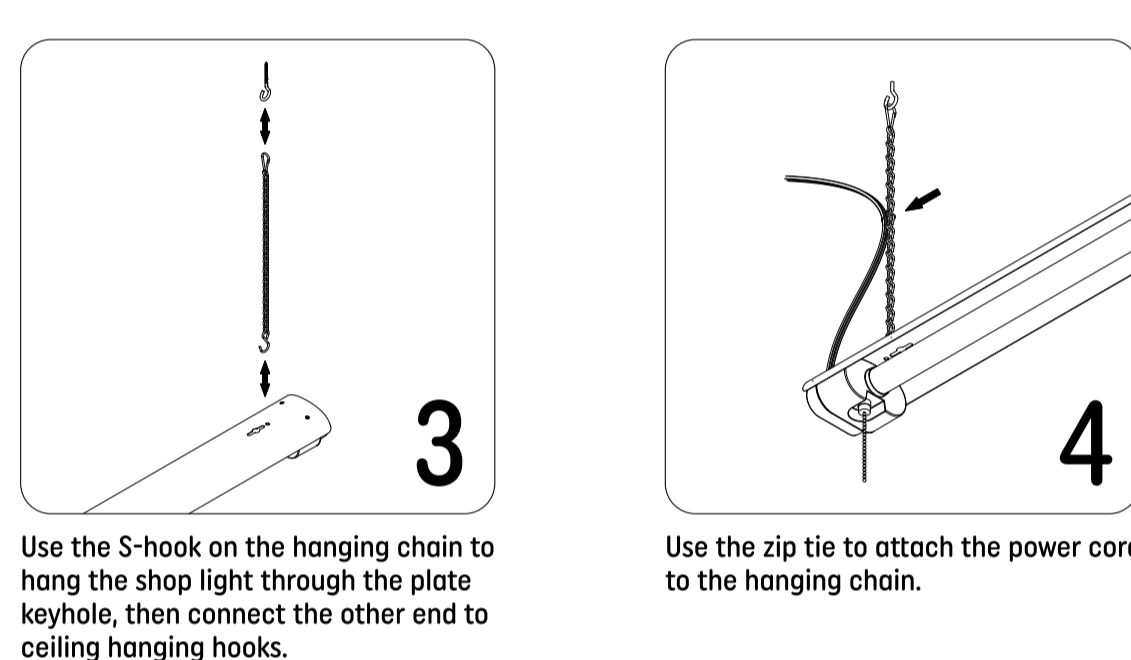
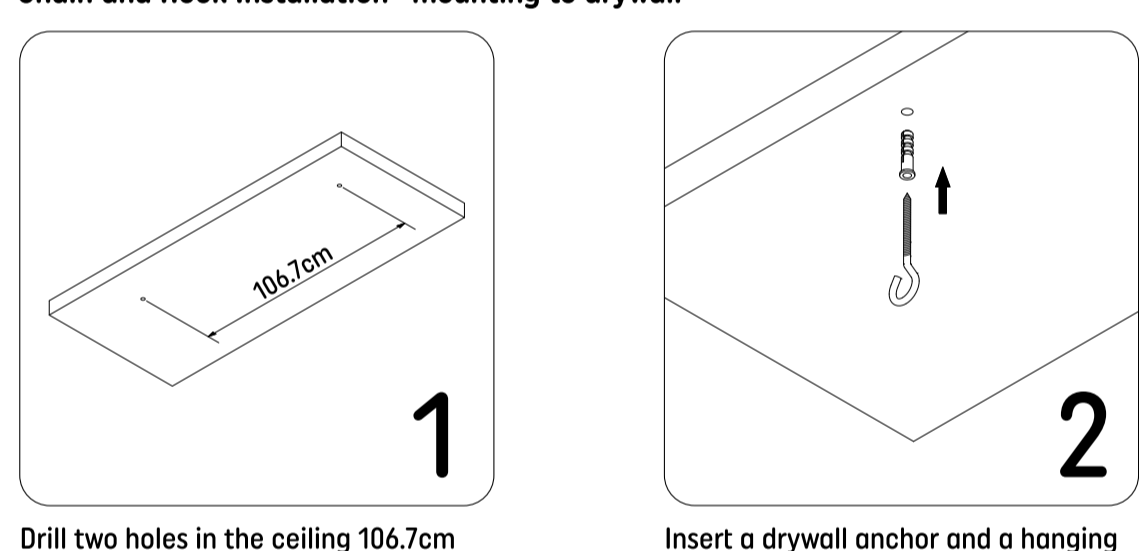
Before beginning assembly, installation and operation of the product, make sure all parts are present. Compare parts with package contents list and hardware contents. If any part is missing or damaged, do not attempt to assemble, install or operate the product. Contact customer service.  
 Check your installation location, make sure there is a receptacle on the ceiling. If not, consult a qualified electrician to install a correct branch circuit receptacle.

### INSTALLATION

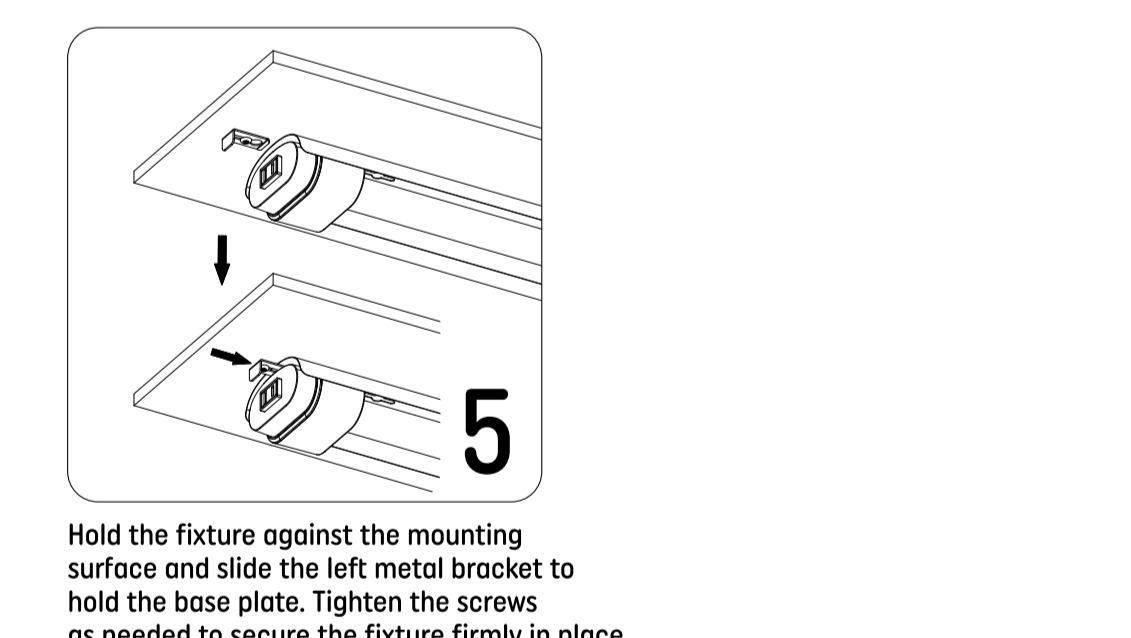
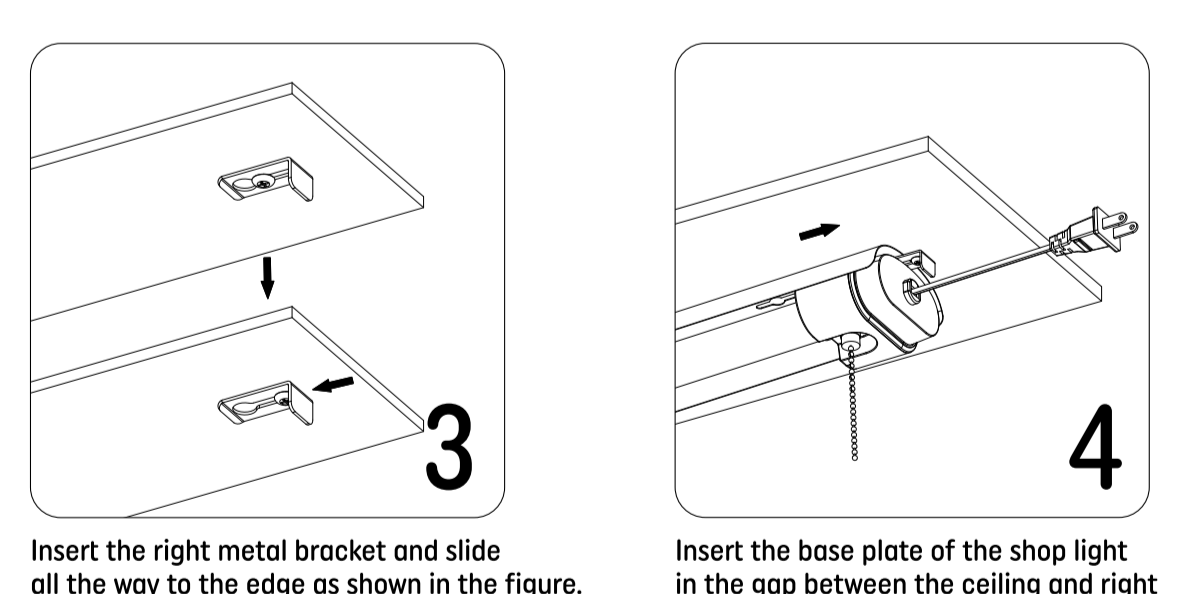
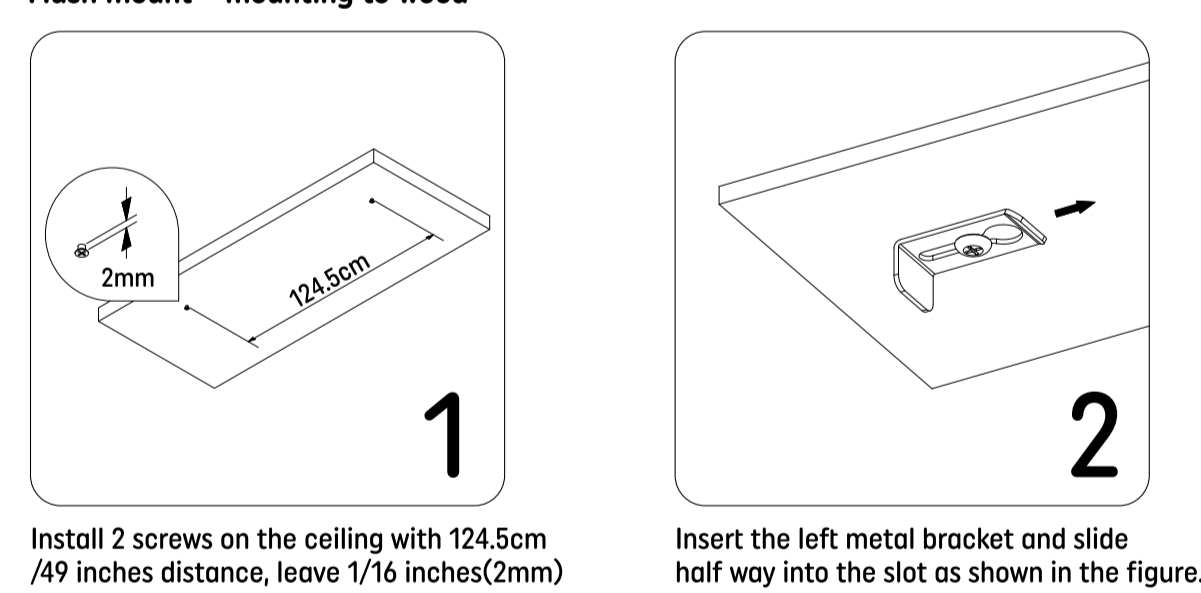
#### Chain and Hook Installation—mounting to wood



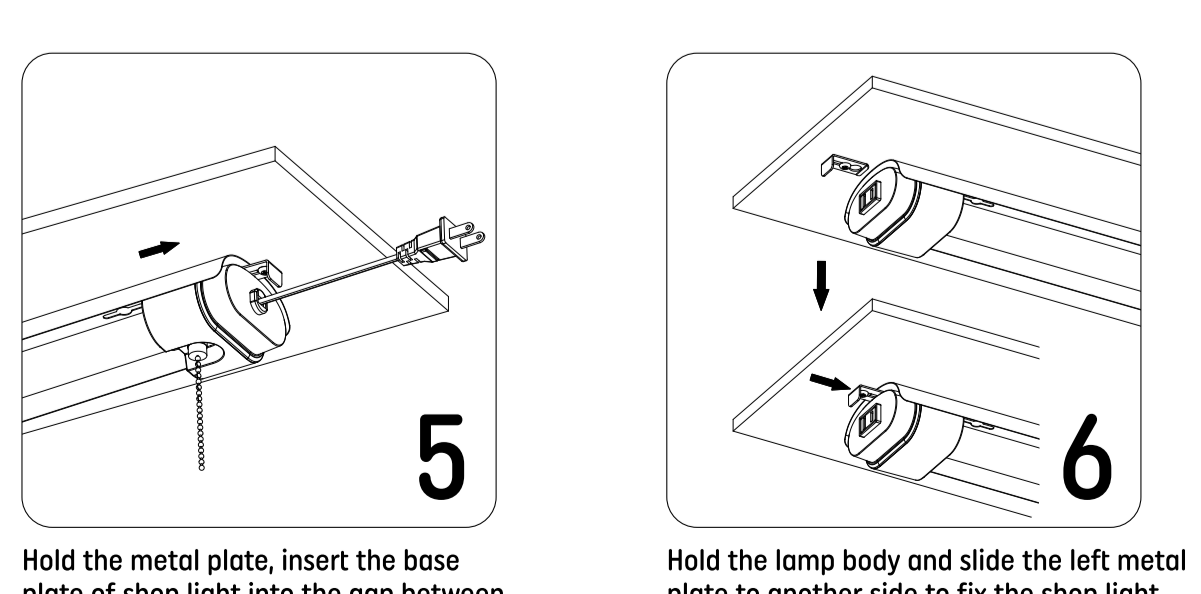
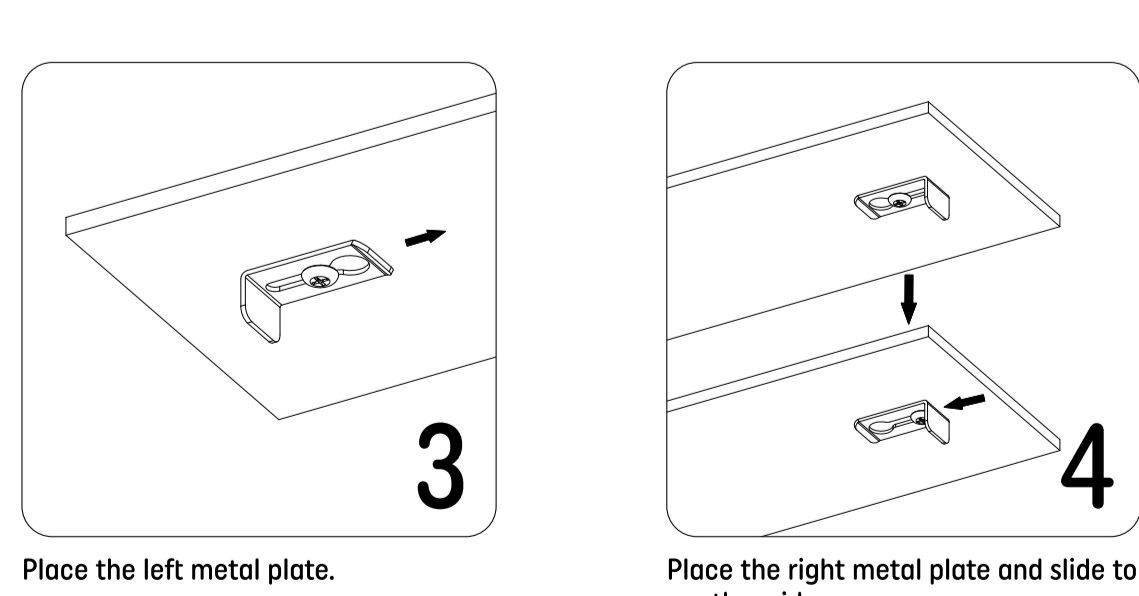
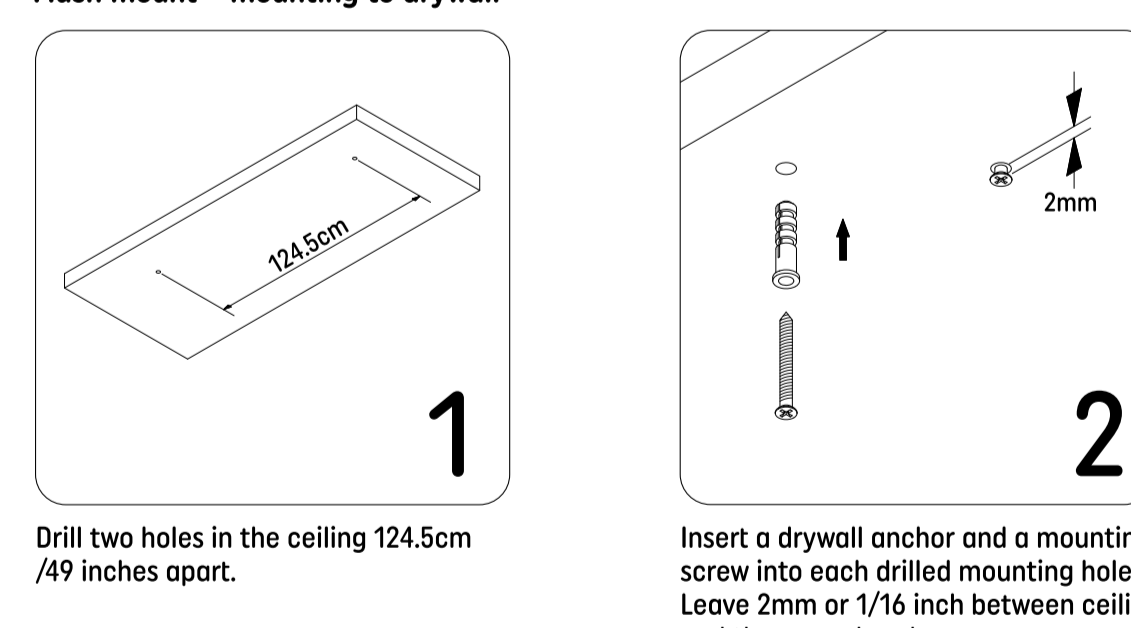
#### Chain and Hook Installation—mounting to drywall



#### Flush mount - mounting to wood

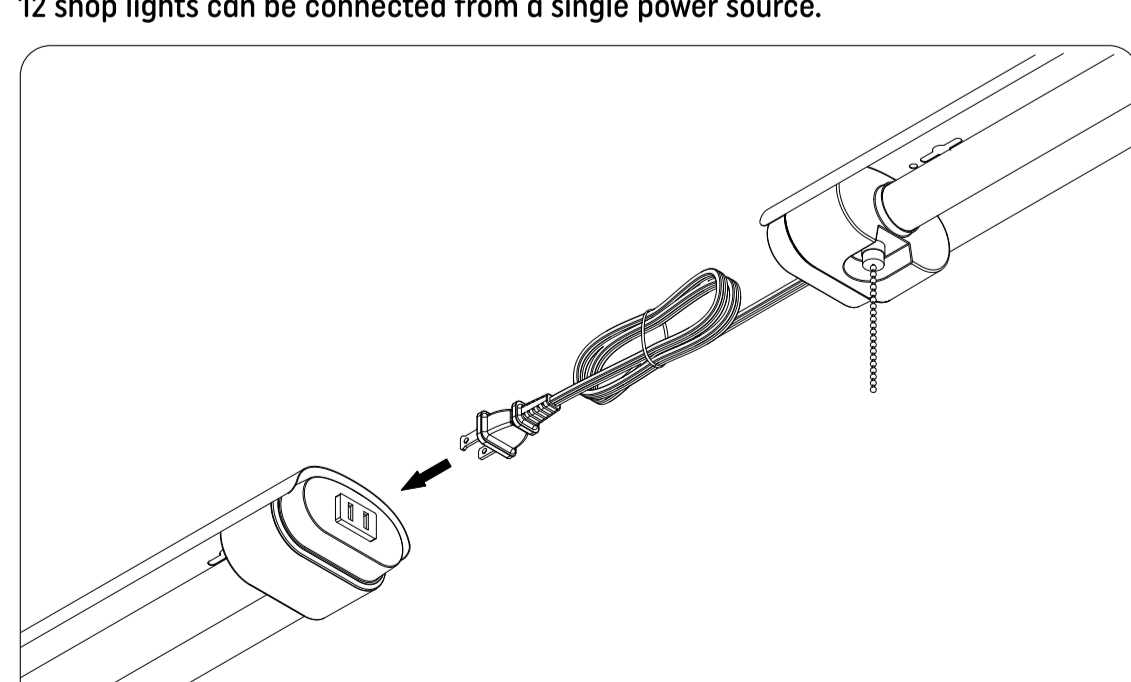


#### Flush mount - mounting to drywall



### LINKABLE INSTALLATION

To link additional shop lights, connect the power cord into other's receptacle. Up to 12 shop lights can be connected from a single power source.



### PULL CHAIN EXTENSION USAGE

If the ceiling is too high, connect the extension chain to the pull chain end before completing installation.

