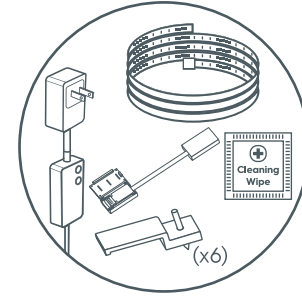


Indoor Dynamic Effects Light Strip & Extension Installation Guide

What's Included

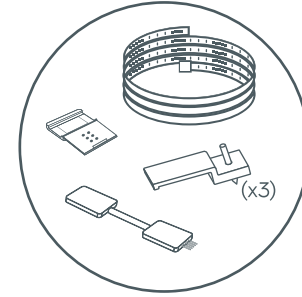
(Devices each sold separately)



Light Strip Contents

Light Strip + Power Supply

1. 16ft Full Color Light Strip
2. Power supply with plug
3. Reconnector wire
4. (6) Mounting clips
5. Cleaning wipe



Light Strip Extension Contents

Light Strip Extension

1. 8ft Full Color Light Strip
2. Extension cable (power supply sold separately)
3. Snap connector
4. (3) Mounting clips

Mounting clips may vary.

Easy Setup

Set up your Light Strips with three easy steps:



STEP 1

Connect to the Cync App, powered by Savant.



STEP 2

Trim to desired length.



STEP 3

Prep surface and install.

Set Up in the Cync App



STEP 1

Plug in and power on your Light Strip by pressing the On/Off button on the power supply.



STEP 2

Download the Cync App, powered by Savant, on your smartphone.



STEP 3

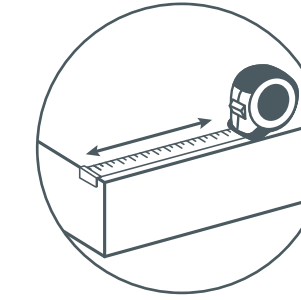
Add your smart lights to the Cync App, then connect to Hey Google or Amazon Alexa voice assistants (sold separately) in the Cync App.

For set up help, visit cyncsupport.gelighting.com or call 1-844-302-2943

GE and C by GE are trademarks of General Electric Company. Used under trademark license. Amazon, Alexa, and all related logos are trademarks of Amazon.com, Inc. or its affiliates. Google and other related marks and logos are trademarks of Google LLC.

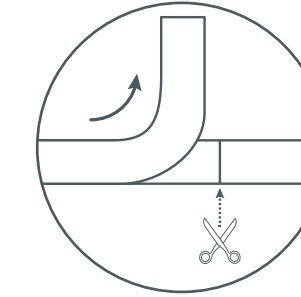
Measure & Trim to Size

(If desired)



STEP 1

Measure where you're planning to install your lights. If your space requires Light Strip Extensions, make sure to attach them before trimming your strips.



STEP 2

With your Light Strip unplugged, safely cut where the trim points are indicated.

▲ Make sure the strip is not plugged in when cutting.

NOTE: Cutting anywhere else will permanently damage the strip.

STEP 3

Add re-connector wire to extend the strip after it is cut.

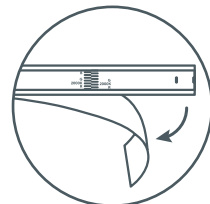
Prep the Surface & Install Your Strip



STEP 1

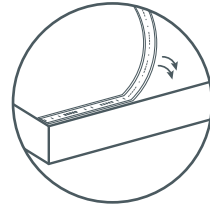
Use the cleaning wipe to remove dust.

NOTE: Make sure surface is dry & free of dirt, dust and oils. For best results, adhere the strip in temperatures above 50°F/10°C.



STEP 2

Working in 6 inch sections, peel off the adhesive backing.



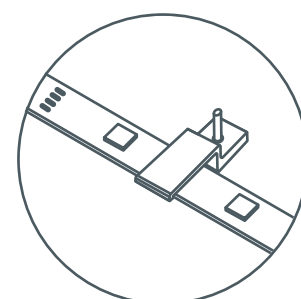
STEP 3

Stick to surface, 6 inches at a time, pressing and holding each section for 10 seconds.

NOTE: Adhesive may damage walls or painted surfaces if removed. Adhesive is single use, so don't peel lights and try to re-stick to wall. You will need to use double-sided tape if re-application is needed.

Do not mount to wallpaper, brick, textured or porous surfaces using adhesive. Use mounting clips instead.

Installing Without Adhesive



STEP 1

Lay out mounting clips where desired.

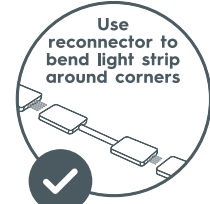
STEP 2

Install mounting clips by tapping the traceless nails into a suitable wall or ceiling surface with a small hammer.

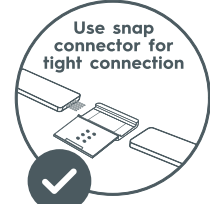
STEP 3

Push the Light Strip into each clip. Do not reposition the strip once installed.

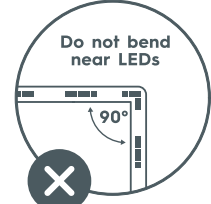
Bending Options



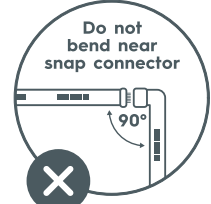
Use reconnector to bend light strip around corners



Use snap connector for tight connection

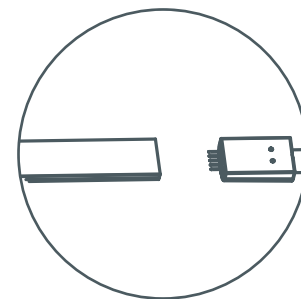


Do not bend near LEDs



Do not bend near snap connector

Extend (if desired) & Power On the Light Strip

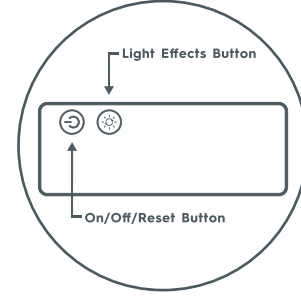


STEP 1

Unplug the power supply and remove the plastic end cap cover. Attach extension to the Light Strip.

Remember to remove plastic covers to link strips.

NOTE: Use the Snap connector to strengthen the connecting point. Extend up to 32ft.



STEP 2

Plug in power supply and turn on the Light Strip.

ENABLE LIGHT EFFECTS

Cycle through light shows by pressing the Light Effect button ☺ .

FCC Statement
Warning: Changes or modifications to this unit not expressly approved by the party responsible for compliance could void the user's authority to operate the equipment.

NOTE: This equipment has been tested and found to comply with the limits for a Class B digital device, pursuant to Part 15 of the FCC Rules. These limits are designed to provide reasonable protection against harmful interference in a residential installation. This equipment generates, uses and can radiate radio frequency energy and, if not installed and used in accordance with the instructions, may cause harmful interference to radio communications.

However, there is no guarantee that interference will not occur in a particular installation. If this equipment does cause harmful interference to radio or television reception, which can be determined by turning the equipment off and on, the user is encouraged to try to correct the interference by one or more of the following measures:

- Reorient or relocate the receiving antenna.
- Increase the separation between the equipment and receiver.
- Connect the equipment into an outlet on a circuit different from that to which the receiver is connected.
- Consult the dealer or an experienced radio/TV technician for help.

The device must not be co-located or operating in conjunction with any other antenna or transmitter. This device complies with Part 15 of the FCC Rules. Operation is subject to the following two conditions: (1) this device may not cause harmful interference, and (2) this device must accept any interference received, including interference that may cause undesired operation.

FCC RF Radiation Exposure Statement Caution: To maintain compliance with the FCC's RF exposure guidelines, place the product at least 20cm from nearby persons.

IC Statement
This device complies with RSS247 of Industry Canada. Cet appareil se conforme à RSS247 de Canada d'Industrie.

This device complies with Industry Canada license-exempt RSS standard(s).

Operation is subject to the following two conditions: (1) this device may not cause interference, and (2) this device must accept any interference, including interference that may cause undesired operation of the device. Appareils radio exempts de licence. Son fonctionnement est sujet aux deux conditions suivantes: (1) le dispositif ne doit pas produire de brouillage préjudiciable, et (2) ce dispositif doit accepter tout brouillage reçu, y compris un brouillage susceptible de provoquer un fonctionnement indésirable.

This equipment complies with IC RSS-102 radiation exposure limits set forth for an uncontrolled environment. This transmitter must be installed to provide a separation distance of at least 20cm from all persons and must not be collocated or operating in conjunction with any other antenna or transmitter.

Cet équipement est conforme aux limites d'exposition aux rayonnements IC RSS-102 définies pour un environnement non contrôlé. Cet émetteur doit être installé pour fournir une distance de séparation d'au moins 20 cm de toutes les personnes et ne doit pas être colocalisé ou fonctionner en conjonction avec une autre antenne ou émetteur.



Like your new Dynamic Effects Light Strip or Extension?

Share your creations!

See the possibilities at gelighting.com/cync