

Like your new Undercabinet Fixture?
Share your experience!

Leave a review where you
purchased the product.



GE is a trademark of General Electric Company. Used under trademark license.
Amazon, Alexa, and all related logos are trademarks of Amazon.com, Inc. or its affiliates.
Google and other related marks and logos are trademarks of Google LLC.

PK-00112537-2

Congratulations!

You've completed the Undercabinet Fixture installation.

Next, refer to the Quick Reference Guide included in the package for app set up.

Matter vs. Cync App

You may set up your fixture through Cync or Matter, but not both. To switch after setting up, you will need to reset the fixture and set it up again.

NOTE: You may see a "set up using Matter" notification on your phone. To set up in the Cync App, powered by Savant, dismiss the notification.

Works With Savant Installers

Important Safety Information – Read First!

Before installing, configuring, or operating any equipment, all relevant technical documentation must be read, understood, and followed.

Savant technical documentation may contain important product-specific installation, mounting, and safety instructions, and can be accessed through the Savant Store.

Scan the QR code or visit the URL below, enter the relevant product name or SKU in the Search Savant prompt, and select the product purchased to find documents, specifications, and more.

https://store.savant.com/DefaultStore/ccrz_HomePage



Additional Information and Warnings

FCC Compliance Statement Compliance Notice:
▲ WARNING: Changes or modifications to this unit not expressly approved by the party responsible for compliance could void the user's authority to operate the equipment.

Note: This equipment has been tested and found to comply with the limits for a Class B digital device, pursuant to Part 15 of the FCC Rules. These limits are designed to provide reasonable protection against harmful interference in a residential installation. This equipment generates, uses, and can radiate radio frequency energy and, if not installed and used in accordance with the instructions, may cause harmful interference to radio communications.

However, there is no guarantee that interference will not occur in a particular installation. If this equipment does cause harmful interference to radio or television reception, which can be determined by turning the equipment off and on, the user is encouraged to try to correct the interference by one or more of the following measures:

- Reorient or relocate the receiving antenna.
- Increase the separation between the equipment and receiver.
- Connect the equipment into an outlet on a circuit different from that to which the receiver is connected.
- Consult the dealer or an experienced radio/TV technician for help.

The device must not be collocated or operating in conjunction with any other antenna or transmitter.

This device complies with Part 15 of FCC Rules. Operation is subject to the following two conditions:

(1) this device may not cause harmful interference, and (2) this device must accept any interference received, including interference that may cause undesired operation.

RF Exposure Information:
▲ CAUTION: To maintain compliance with the FCC's RF exposure guidelines, place the product at least 20cm from nearby persons.

IC Statement
 This device complies with RSS247 of Industry Canada. Cet appareil se conforme à RSS247 de Canada d'Industrie.

This device complies with Industry Canada license-exempt RSS standard(s).
 Operation is subject to the following two conditions:
 (1) This device may not cause interference, and (2) this device must accept any interference, including interference that may cause undesired operation of the device. Appareils radio exempts de licence.

Son fonctionnement est sujet aux deux conditions suivantes: (1) le dispositif ne doit pas produire de brouillage préjudiciable, et (2) ce dispositif doit accepter tout brouillage reçu, y compris un brouillage susceptible de provoquer un fonctionnement indésirable.

This equipment complies with IC RSS-102 radiation exposure limits set forth for an uncontrolled environment.
 This transmitter must be installed to provide a separation distance of at least 20cm from all persons and must not be collocated or operating in conjunction with any other antenna or transmitter.

Cet équipement est conforme aux limites d'exposition aux rayonnements IC RSS-102 définies pour un environnement non contrôlé.
 Cet émetteur doit être installé pour fournir une distance de séparation d'au moins 20 cm de toutes les personnes et ne doit pas être colocalisé ou fonctionner en conjonction avec une autre antenne ou émetteur.

▲ CAUTION: To reduce the risk of fire, electric shock, or injury to persons:

- Use only insulated staples or plastic ties to secure cords.
- Route and secure cords so that they will not be pinched or damaged when cabinet is pushed to the wall.
- Not intended for recessed installation in ceilings or soffits.
- The National Electrical Code (NEC) does not permit cords to be concealed where damage to insulation may go unnoticed. To prevent fire danger, do not run cord behind walls, ceilings, soffits, or cabinets where it may be inaccessible or examination. Cords should be visually examined periodically and immediately replaced when any damage is noted.

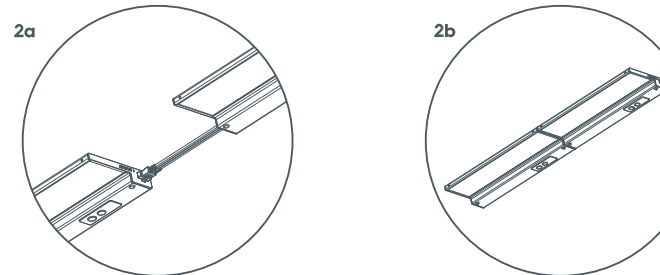
Use of the Works with Apple badge means that an accessory has been designed to work specifically with the technology identified in the badge and has been certified by the developer to meet Apple's performance standards. Apple is not responsible for the operation of this device or its compliance with safety and regulatory standards.

CONNECTING FIXTURES

Joining Multiple Fixtures

1. Link multiple puck and edge-lit fixtures from one power source:
 - Up to 500W using linking cables
 - Up to 240W using recessed connectors
 - Up to 150W when paired with a Cync dimmer switch
 - Not for use with traditional dimmer switches
- 2a. **Connect using provided jumper cord:** Before installation, the distance between two fixtures should be less than the length of the linking cable. Then, make sure all fixtures have been securely mounted. Using the provided linking cable, link the fixtures together starting with the **OUTPUT** port on the powered fixture and connecting it to the **INPUT** port on the non-powered fixture.
- 2b. **Connect by recessed connector:** Before installation, install the recessed connector to the **INPUT** port tightly, then slide this fixture onto the **OUTPUT** port of second fixture. Make sure all fixtures have been securely mounted.
3. Ensure plastic quick connect caps are installed in all open parts at the completion of installation.

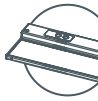
Note: Fixtures can be controlled individually or grouped together in the Cync App whether they are joined together or powered independently.





reveal® Full Color Undercabinet Fixture Installation Guide

Getting Started



Determine location, decide direct wire or plug in, and complete the installation



Add Fixture to the Cync App, powered by Savant or Matter compatible smart home app



Set up your Amazon Alexa or Google Home voice assistant (optional)

For set up help, call 1-844-302-2943 or visit cyncsupport.gelighting.com



Let's Do It

Included:



60" Power Cord

Fixture

Linking Cable

Strain Relief



2 Plastic Quick Connect Caps

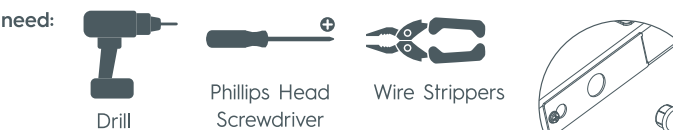
Recessed Connector

Knock-Out Hole Cover

Screw Hole Cover

* The strain relief is capable of being used as fixed unit (luminaire) when used with the Convertible LED Portable Luminaire.

You'll need:



WARNING: If you do not want to use the knock-out any longer, please use the knock-out hole cover to cover the hole.

Available Accessories: **24" & 36" Grounded Linking Cables (UNCAC-PI-WTL)** (sold separately)
One cable connects two fixtures up to 24" or 36" apart.

Specifications

| Model | Input Voltage (Vac, Hz) | Current (mA) | Wattage (W) |
|-------------------------------------|-------------------------|--------------|-------------|
| Full Color 12" Undercabinet Fixture | 120/60 | 115 | 13 |
| Full Color 18" Undercabinet Fixture | 120/60 | 170 | 19 |
| Full Color 24" Undercabinet Fixture | 120/60 | 210 | 24 |

Dimming Capability

NOT FOR USE WITH DIMMER SWITCHES.

Compatible with only Cync smart dimmers that provide dimming at the switch or through the Cync App.



Before you begin: Read these instructions completely and carefully.

WARNING: RISK OF ELECTRIC SHOCK
Risk of fire or electric shock. Installation requires knowledge of luminaire electrical systems. If not qualified, do not attempt installation. If uncertain, contact a qualified electrician.

- To prevent wiring damage or abrasion, do not expose wiring to edges of sheet metal or other sharp objects.
- These products are intended to be used in dry or damp locations.

Prepare Electrical Wiring

ELECTRICAL REQUIREMENTS

The LED fixture must be supplied with 120VAC 60Hz

GROUNDING INSTRUCTIONS

The grounding and bonding of the overall system shall be done in accordance with National Electric Code (NEC) and local codes.

DIRECT WIRE INSTALLATION

BEFORE YOU DO ANYTHING: Step 1

Turn Off The Power!

Turn off power source at the main circuit breaker or fuse box.

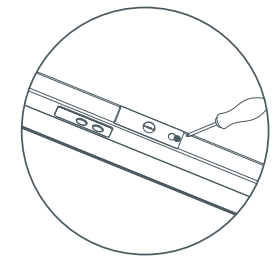
Step 2

Remove Knock-out

1. Place a screwdriver into the center, carefully flexing back and forth until removed. Do not leave the removed metal circle inside the fixture.

WARNING: Once the knockout is removed either complete hardwire installation steps or plug hole with included knock-out hole cover and follow plug-in installation steps.

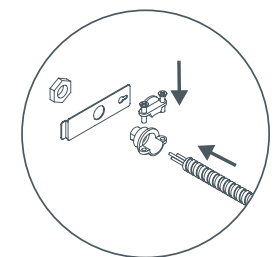
2. Loosen the screw and remove connection cover.



Step 3

Mount Strain Relief to the Connection Cover

1. Securely tighten nut. Strain relief should be on the outside of the connection cover with the nut on the inside. Push supply cable through the strain relief ensuring that roughly 3" of cable is through the fitting. Tighten screws around supply cable.

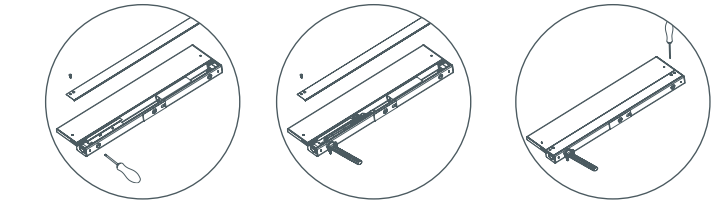


Step 4

Connect Wires

- Inside fixture, there are three wires with a wire connector fitted to each end. Carefully pull these out of fixture. Do not pull with excessive force.
- Insert each of the three wires from the supply cable into each of the three wire connectors with their respective color wires. Make sure that all wires are securely gripped, and no bare wires are exposed.

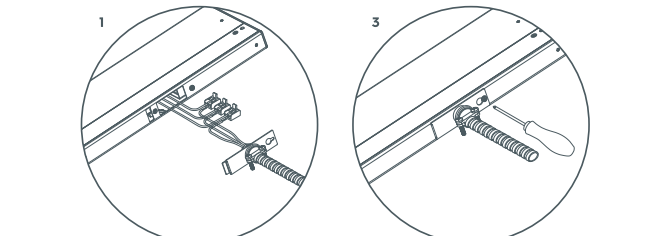
Note: Back plate may need to be removed for direct wire method for easier installation when using a thicker gauge wire.



Note: Strip supply cable wires with wire strippers to expose 3/8"-7/16" of bare metal for connection.

3. Gently push the wires back inside of the fixture. Secure the connection cover back onto the fixture assembly.

WARNING: Do not use power cord when also direct wiring the fixture! Use only one method to power the fixture.



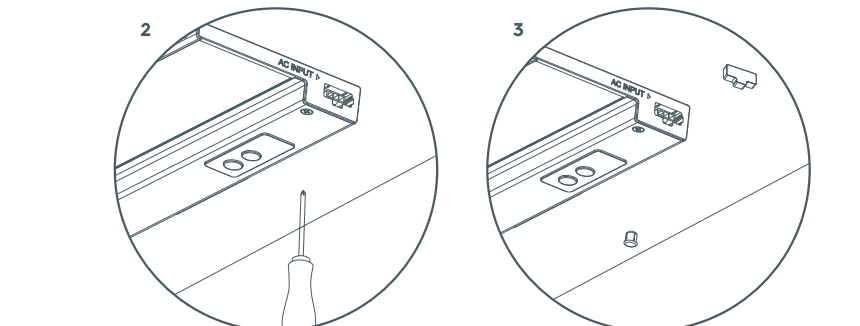
Step 5

Install Fixture

- Place the fixture in the desired position within 5' of an outlet. Ensure there is enough space between any cabinet edges and fixture ends for the cord end. It may be required to pre-drill a pilot hole for the screws using a 3mm or 1/8th inch size drill bit.
- Mount the fixture using a Phillips head screwdriver, fully seating the pre-installed mounting screws. Provided screws are suitable for cabinet bottoms 3/8" or thicker. It may be required to pre-drill a pilot hole for the screws.

WARNING: Do not use power cord when also direct wiring the fixture! Use only one method to power the fixture.

3. Push in the screw hole covers, covering the two exposed screws. When installing one fixture, push the quick connect covers into the **INPUT** and **OUTPUT** ports. Turn on the electricity at the circuit breaker or fuse box and verify that the fixture functions properly.



PLUG-IN INSTALLATION

BEFORE YOU DO ANYTHING: Step 1

Turn Off The Power!

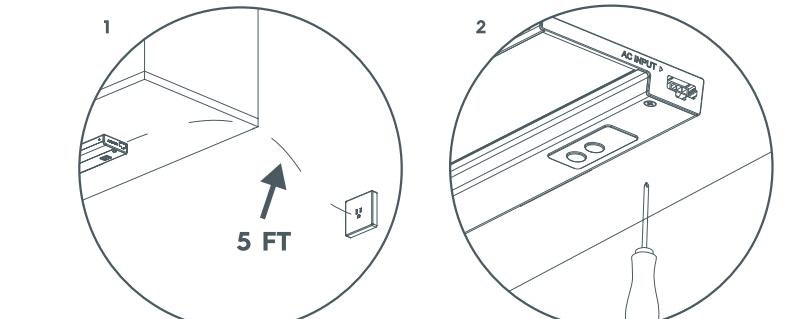
Turn off power source at the main circuit breaker or fuse box.

Step 2

Position Fixture

- Locate the position to mount the Undercabinet Fixture. Fixture should be mounted within 5' of an outlet. Ensure there is at least 2" between the sides of the fixture and the cabinet edge to insert power cord or linking cables.
- Ensure plastic quick connect caps are removed from end ports. Place the fixture in the desired position. Mount the fixture using a screwdriver, fully seating the pre-installed mounting screws. Provided screws are suitable for cabinet bottoms 3/8" or thicker. It may be required to pre-drill a pilot hole for the screws.

WARNING: If using a drill, set it to a medium speed. Ensure the bit is fully engaged with the screw to avoid stripping. Start slowly until the screw bites into the wood.



Step 3

Connect fixture to power source

- Insert the power cord quick connector into the **INPUT** port.
- Plug in the power cord to an electrical outlet. Secure cord using cable clips, making sure to keep cord snug to the mounting surface.
- Push in the screw hole covers, covering the two exposed screws. Ensure plastic quick connect caps are installed in all open parts at the completion of installation. Turn on the electricity at the circuit breaker or the fuse box and verify that the fixture turns ON.

Note: If you need to remove the quick connect covers, insert a flat head screwdriver narrower than 1/8" into the end cap slot, gently push up and then pull out the cover.

