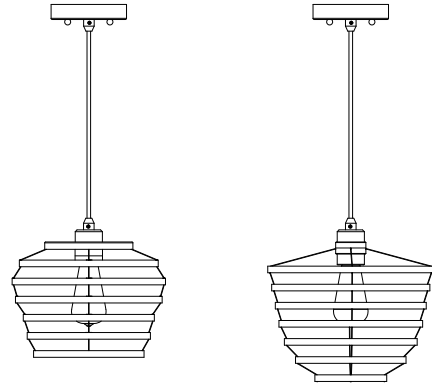




# Installation Guide

## Industrial Pendant Fixture



**Bulbs not included.**

www.gelighting.com  
The GE brand and logo are trademarks of the General Electric Company.  
©2022 GE Lighting, a Savant company. Information provided is subject to change without notice. All values are design or typical values when measured under laboratory conditions.

PK-00109056-1

### PRODUCT COVERED

Model	Input voltage (Vac, Hz)	Max. wattage of bulb(not included) (W)
PNDIS1LDMMBID	120, 60	60W
PNDSP1LDMMBID	120, 60	60W

### BEFORE YOU BEGIN

Read these instructions completely and carefully.

### WARNING

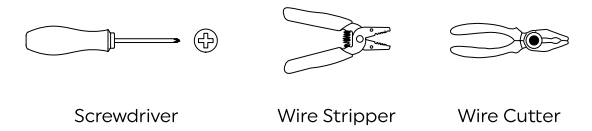
- Risk of fire or electric shock. Installation requires knowledge of luminaire electrical systems. If not qualified, do not attempt installation. Contact a qualified electrician.
- These products are intended to be used in dry or damp locations.
- MAX 60 watts incandescent.

### PREPARE ELECTRICAL WIRING

**Electrical Requirements**  
The LED fixture must be supplied with 120Vac 60Hz.

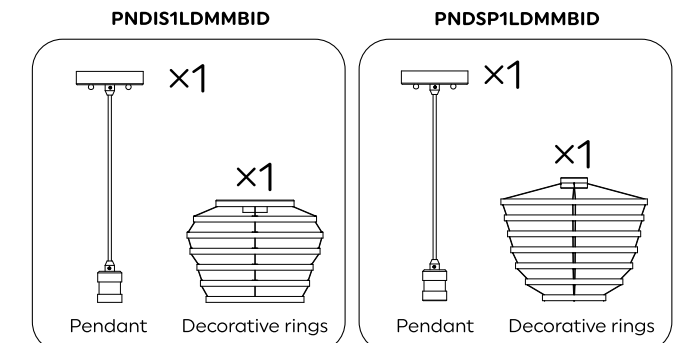
**Grounding Instructions**  
The grounding and bonding of the overall system shall be done in accordance with National Electric Code (NEC) and local codes.

### TOOLS REQUIRED



### PACKAGE CONTENTS

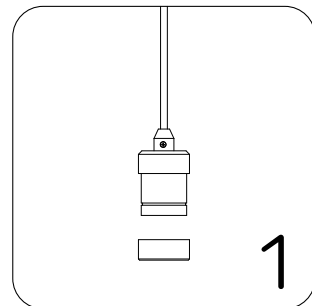
Only one fixture is included in the package. Please check the package list according to the fixtures you purchased.



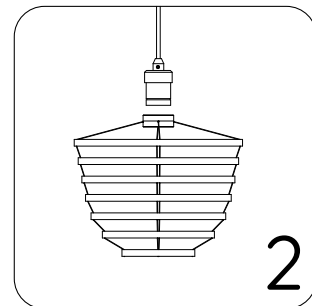
### Accessories for all models



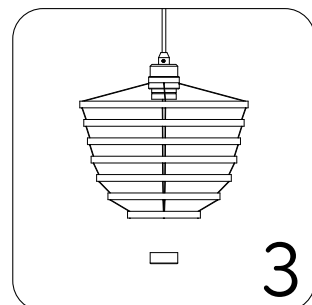
### BEFORE INSTALLATION



1  
Unscrew the locking ring at the bottom.



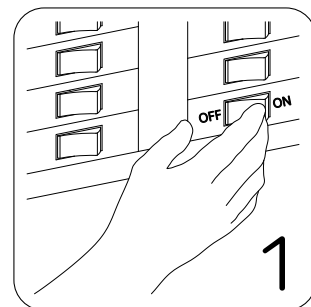
2  
Install the decorative rings on the socket.



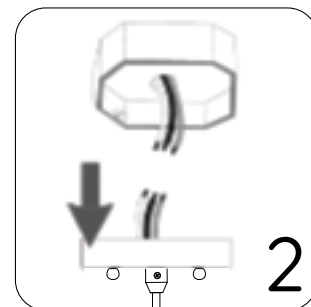
3  
Screw the locking ring tightly.

### INSTALLATION

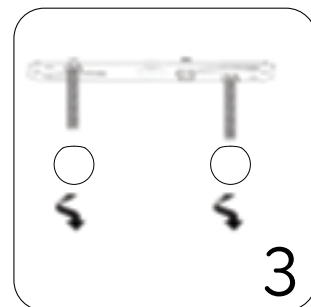
This fixture is suitable for junction with 2.75inches or 3.5 inches mounting distance.



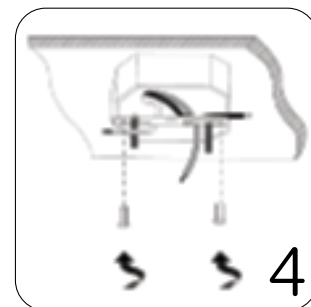
1  
Turn off power source to the power supply where you are installing the fixture.



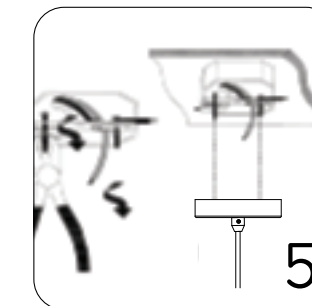
2  
Remove existing fixture and disconnect all electric wires.



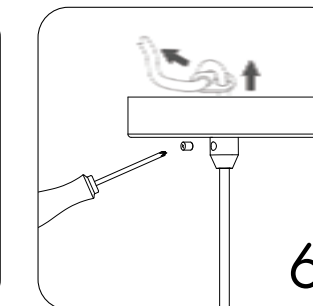
3  
Remove decorative nuts from crossbar. Save the decorative nuts for later use.



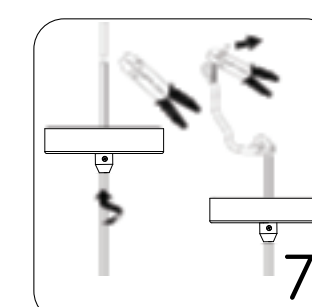
4  
Attach crossbar to the junction box with screws provided.



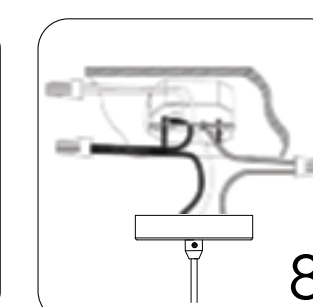
5  
Adjust crossbar: Temporarily place fixture over crossbar to determine amount of adjustment necessary for screws on crossbar. Screws should come through canopy hole to ensure decorative nuts can be used to tighten fixture to ceiling.



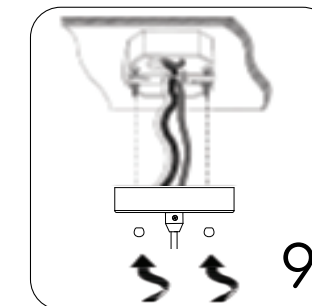
6  
Adjust the cord length: Loosen cord restrain on the fixture canopy. Adjust cord to desired length by pulling cord up through canopy then re-tighten cord restrain.



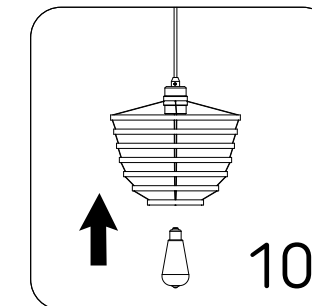
7  
Cut excess wire if needed. Leave at least 10" of extra wire to work with. Strip and prepare wires for connection.



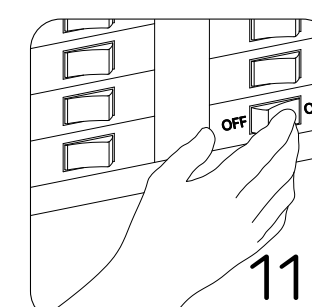
8  
Connect same color wires of outlet box and fixture together by wire nuts. Note that junction box ground wire may be green or bare copper.



9  
Arrange excess wires and wire nuts within canopy. Align holes in canopy with screws on cross bar and push up. Secure fixture to cross bar by tightening the fixture with 2 decorative nuts.



10  
Install a medium base bulb. The above schematic shows only one type of design, but the same step can be followed for other pendants.



11  
Turn ON the power to the fixture.