

Outdoor Battery Smart Camera **Installation Guide**

You Got This!

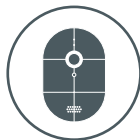
And we're here to help.

For in-depth instructional videos and a guided tour through the installation, go to cyncsupport.gelighting.com or call 1-844-302-2943.

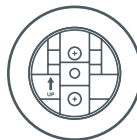
NOTE: Please make sure your system is up-to-date, and you update the firmware when prompted for the best experience.

Let's Do It

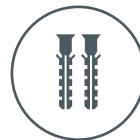
INCLUDED



Camera



Mounting
Bracket



Anchors
(Used When Applicable)

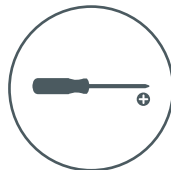


Phillips
Mounting Screws

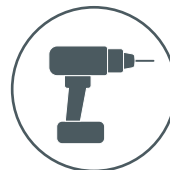


Battery Pack and
Charging Cord

YOU'LL NEED



Phillips Screwdriver



1/8" Drill Bit
(Use 1/4" Drill Bit with Optional Anchors)



Ladder

Charge Camera & Set Up in Cync App



STEP 1

Charge your CYNC Outdoor Camera. Remove the battery and then plug the USB charging cord into the battery USB port and your charging port.



STEP 2

Download the Cync App, powered by Savant, on your smartphone.



STEP 3

Add your Outdoor Smart Camera to the Cync App.



STEP 4

Install your Outdoor Smart Camera.

For set up help, visit cyncsupport.gelighting.com
or call 1-844-302-2943

Choose a Location



Avoid direct
sunlight



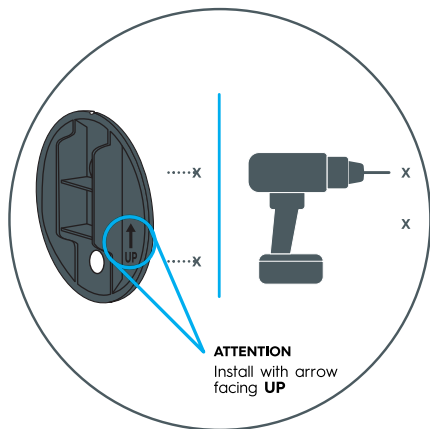
Within
Wi-Fi range



Do not
obstruct

TIP: Hold the camera where you want it. Check that your view in the app is unobstructed and you are still in range of your home Wi-Fi.

Mount the Base



STEP 1

Choose the location where you wish to install your camera and verify your camera is connected to Wi-Fi by checking the signal strength under settings in the Cync App.

STEP 2

Place the bracket where you wish to install the camera.

STEP 3

Use the bracket to mark the holes.

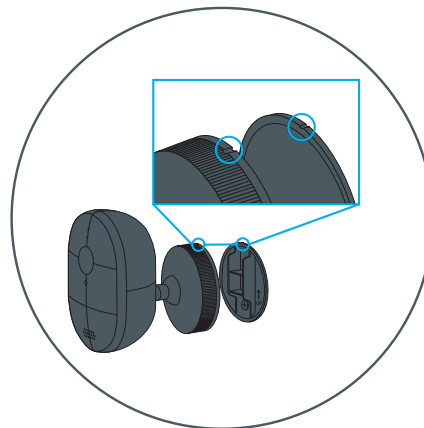
STEP 4

Drill holes with a 1/8" drill bit.

STEP 5

Screw in the mounting plate.

Attach the Camera & Adjust the Position



STEP 1

Align the red notch on the base of your camera with the red notch on the mounting plate.

STEP 2

Slide the base of the camera onto the mounting plate.

STEP 3

Adjust the camera to your desired angle (use the camera view in the Cync App to verify your view before locking the ball joint).

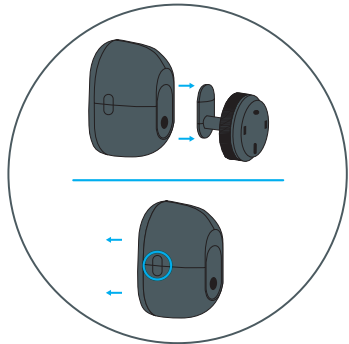
STEP 4

Turn the neck of the camera clockwise to tighten the ball joint and lock your camera in place.

You're all set!

Use the Cync App to check your camera's live feed and select your motion settings and zones under your camera's settings.

Recharging & Replacing the Battery



STEP 1

Gently pull off the camera from the magnetic mounting bracket.

STEP 2

Squeeze the buttons on both sides of the camera to release the camera face.

STEP 3

Slide the battery pack up to remove it from the camera.

STEP 4

Plug the charging cord directly into the USB port on the battery.

Note: only use the camera's external USB port to connect the solar panel accessory (sold separately).

STEP 5

Place the battery inside the camera, attach the camera face and reinstall the camera onto the mounting bracket.

Additional Information and Warnings

⚠ CAUTION

Suitable for use only with the CYNC outdoor battery operated camera.

Do not disassemble, open, crush, bend, deform, puncture, or shred the battery.

Do not modify or remanufacture the battery, attempt to insert foreign objects into the battery, or immerse or expose it to water or other liquids, expose to fire, explosion or other hazard.

Do not short-circuit the battery or allow metallic conductive objects to come into contact with battery terminals.

Avoid dropping the battery. If the battery is dropped and the user suspects damage, discontinue use immediately. Do not attempt to repair.

Keep batteries out of reach of children.

Dispose of all batteries in accordance with applicable laws and regulations.

FCC Statement

⚠ WARNING: Changes or modifications to this unit not expressly approved by the party responsible for compliance could void the user's authority to operate the equipment.

NOTE: This equipment has been tested and found to comply with the limits for a Class B digital device, pursuant to Part 15 of the FCC Rules. These limits are designed to provide reasonable protection against harmful interference in a residential installation. This equipment generates, uses and can radiate radio frequency energy and, if not installed and used in accordance with the instructions, may cause harmful interference to radio communications.

However, there is no guarantee that interference will not occur in a particular installation. If this equipment does cause harmful interference to radio or television reception, which can be determined by turning the equipment off and on, the user is encouraged to try to correct the interference by one or more of the following measures:

- Reorient or relocate the receiving antenna.
- Increase the separation between the equipment and receiver.
- Consult the dealer or an experienced radio/TV technician for help

The device must not be co-located or operating in conjunction with any other antenna or transmitter. This device complies with Part 15 of the FCC Rules. Operation is subject to the following two conditions :

- (1) this device may not cause harmful interference, and
- (2) this device must accept any interference received, including interference that may cause undesired operation.

FCC RF Radiation Exposure Statement Caution: To maintain compliance with the FCC's RF exposure guidelines, place the product at least 20cm from nearby persons.

IC Statement

This device complies with RSS247 of Industry Canada. Cet appareil se conforme à RSS247 de Canada d'Industrie. This device complies with Industry Canada license-exempt RSS standard(s). Operation is subject to the following two conditions: (1) this device may not cause interference, and (2) this device must accept any interference, including interference that may cause undesired operation of the device. appareils radio exempts de licence. Son fonctionnement est sujet aux deux conditions suivantes: (1) le dispositif ne doit pas produire de brouillage préjudiciable, et (2) ce dispositif doit accepter tout brouillage reçu, y compris un brouillage susceptible de provoquer un fonctionnement indésirable. The device must not be co-located or operating in conjunction with any other antenna or transmitter.



Like your new Outdoor Battery Smart Camera? Share your experience!

Leave a review where you purchased the product.

